

SINGER
6011/6012/6017

LIST OF PARTS

SEWING MACHINE SERIES

6010

by
SINGER*

© THE SINGER COMPANY
1992 SINGER DO BRASIL
ALL RIGHTS RESERVED

* REGISTERED TRADEMARK

PRINTED IN BRAZIL
356495-003

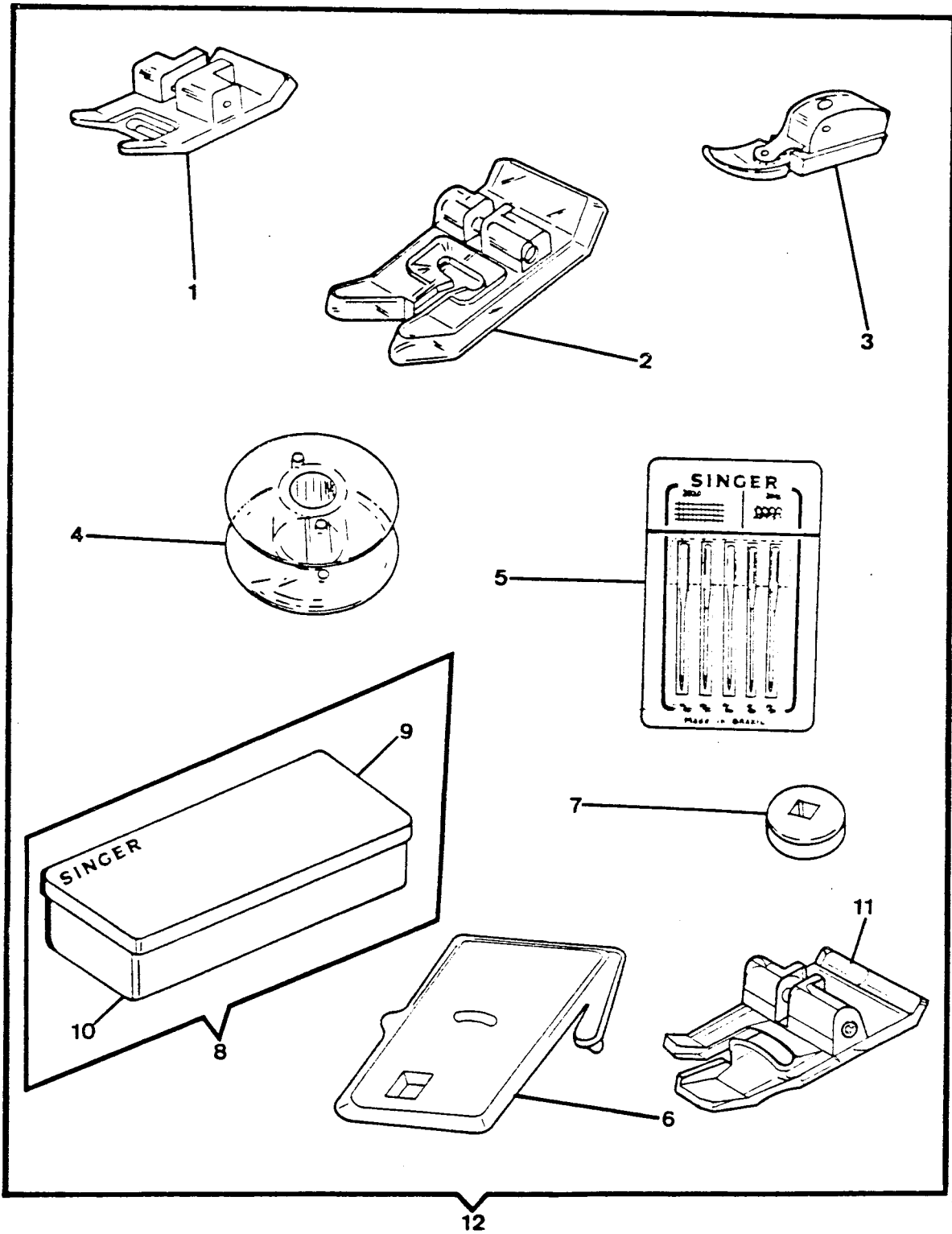
6010 SERIES
REVISION RECORD

REV.	DESCRIPTION	APPROVAL AND DATE
1	COLLOR CHANGING FROM LIGHT BUFF TO SNOW WHITE EFFECTIVE DATE: FEB. 1993	

INDEX

PAGE NBR	SUB-ASSEMBLY
01 - 02	ATTACHMENT SET
03 - 04	ARM & BED
05 - 08	COVERS & ADD ONS
09 - 12	NEEDLE BAR, PRESSER BAR & THREAD TAKE-UP
13 - 14	ARM SHAFT DRIVE
15 - 16	HAND WHEEL
17 - 18	TENSION & BOBBIN WINDER
19 - 20	ROTATING HOOK, THROAT PLATE & BED SLIDE
21 - 22	BIGHT AMPLITUDE
23 - 24	NEEDLE POSITION
25 - 26	DISC SELECTOR ASSEMBLY & CAM STACK
27 - 28	FEED REGULATOR CAM
29 - 30	BUTTONHOLER & FEED REGULATOR CAM
31 - 32	CAM CONTROLLED FEED
33 - 34	FEED SYSTEM
35 - 36	OPTIONS/ BOTTOM COVER
37 - 41	ELECTRICAL EQUIPMENT

ATTACHMENT SET



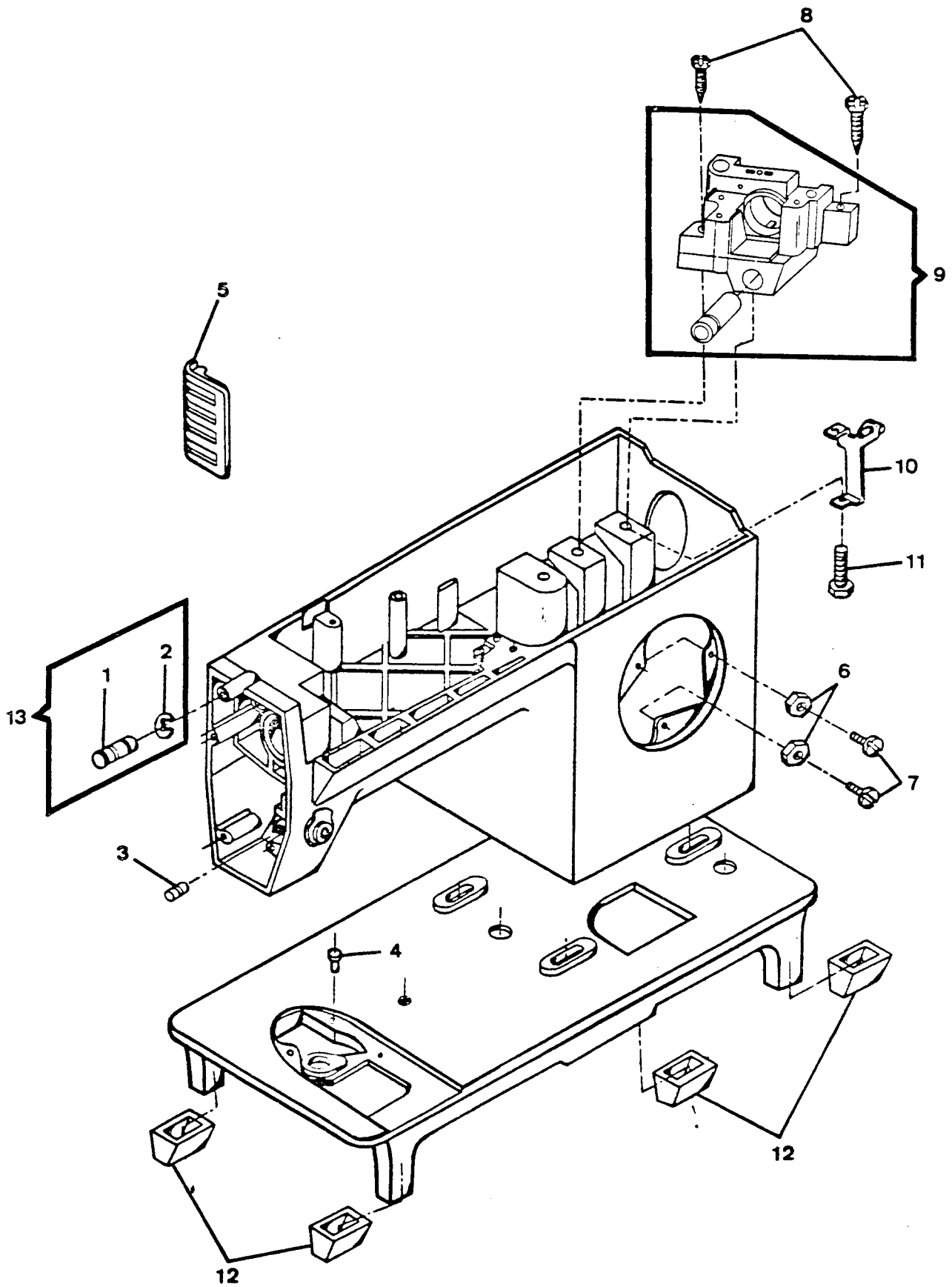
From the library of: Diamond Needle Corp

PART LIST
ATTACHMENT SET

REF.	PART NBR	DESCRIPTION	6	6	6
			0	0	0
			1	1	1
			1	2	7
01	446492-451	SPECIAL PURPOSE PRESSER FOOT PLATE (SNAP-ON)		X	X
02	161927	PRESSER FOOT PLATE (SNAP-ON) FOR SEWING BUTTONHOLES		X	X
03	507836	PRESSER FOOT PLATE (SNAP-ON) COMPLETE FOR CORDING & SLIDE FASTENERS		X	X
04	172336	BOBBIN (PLASTIC)	X	X	X
05	353364	NEEDLE PACK (INCLUDES 1 E N2020 SIZE 11/14/16 & N2045 SIZE 11/14)	X	X	X
06	381495	FEED COVER PLATE (PLASTIC)	X	X	X
07	507664-467	ARM TOP COVER SPOOL PIN THREAD LEAD-OFF SMALL PLASTIC)	X	X	X
08	446150-455	ATTACHMENT BOX COMPLETE	X	X	X
09	446149-458	ATTACHMENT BOX COVER (PLASTIC)	X	X	X
10	446148-456	ATTACHMENT BOX BASE (PLASTIC)	X	X	X
11	356630	BLINDSTITCH GUIDE		X	X
12	531672	ATTACHMENT SET COMPLETE	X		
12	531673-001	ATTACHMENT SET COMPLETE		X	X

From the library of: Diamond Needle Corp

ARM & BED



From the library of: Diamond Needle Corp

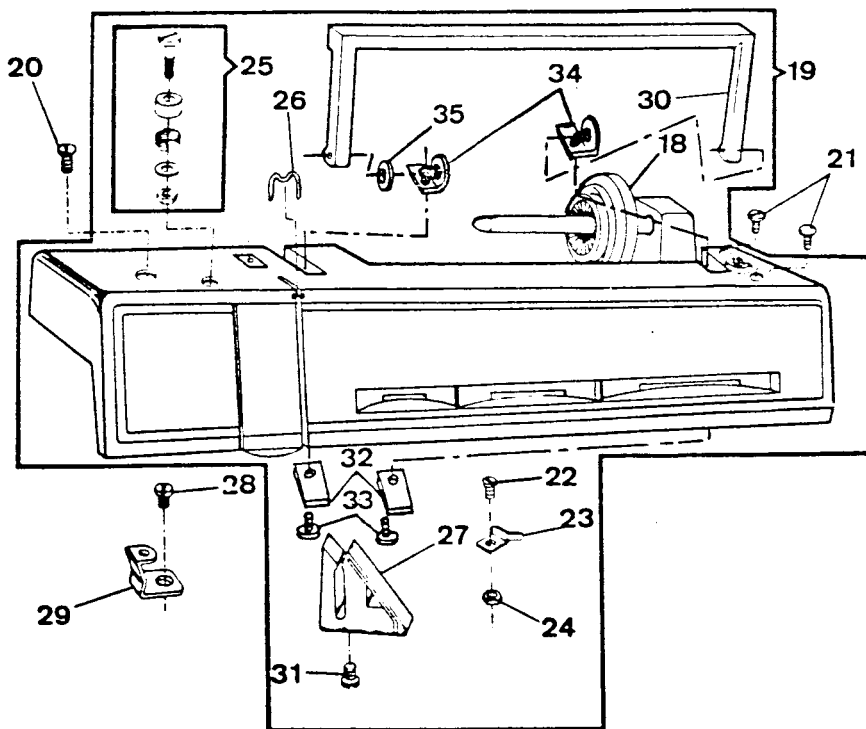
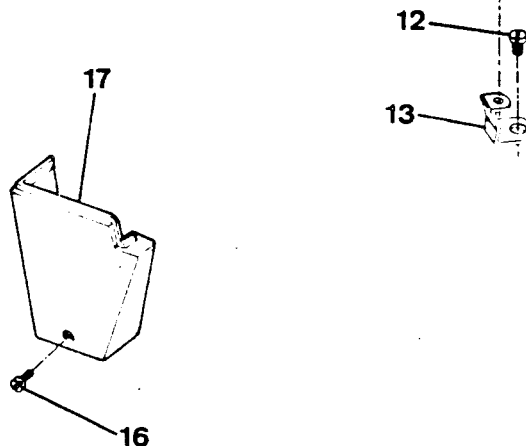
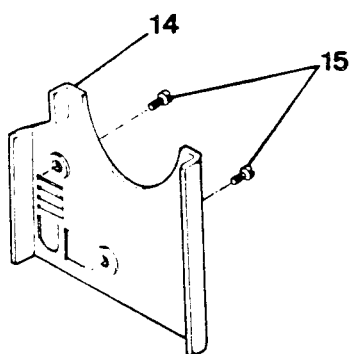
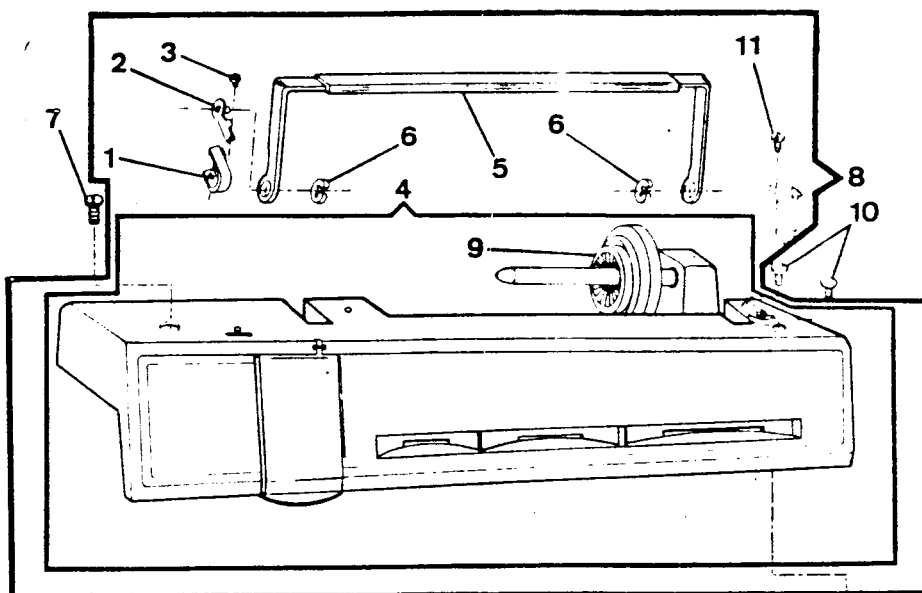
PART LIST
ARM & BED

6 6 6
0 0 0
1 1 1
1 2 7

REF.	PART NBR	DESCRIPTION			
01	446375	THREAD TAKE-UP LEVER LINK HINGE STUD	X	X	X
02	353215	THREAD TAKE-UP LEVER LINK HINGE STUD RETAINING RING (LEFT & RIGHT)	X	X	X
03	446358	TENSION RELEASING LEVER HINGE PIN	X	X	X
04	179943	THROAT PLATE POSITION PIN (PLASTIC)	X	X	X
05	353360-45X	ARM INSERT (MOTOR VENT GRILL)	X	X	X
06	353588-451	FEED REGULATOR MECHANISM MOUNTING PLATE NUT INSERT		X	X
07	113513-451	BUTTONHOLER & FEED REGULATOR SCREW		X	X
08	113455-006	ARM SHAFT (REAR) HOUSING MOUNTING SCREW	X	X	X
09	446347-001	ARM SHAFT (REAR) HOUSING ASSEMBLY	X	X	X
10	353601	ARM TOP COVER HANDLE HINGE PIN BRACKET (RIGHT) ASSEMBLY (ONLY METAL HANDLE)	X	X	
11	446349-451	ARM SHAFT (REAR) HOUSING MOUNTING BOLT	X	X	X
12	446154-451	UNDER BED COVER CUSHION	X	X	X
13	353623	THREAD TAKE-UP LEVER LINK HINGE STUD WITH RING	X	X	X

From the library of: Diamond Needle Corp

COVERS & ADD ONS



PART LIST
COVERS & ADD ONS

REF.	PART NBR	DESCRIPTION	6	6	6
			0	0	0
			1	1	1
			1	2	7
01	446498	ARM TOP COVER HANDLE RETAINING SPRING	X	X	
02	179886	ARM TOP COVER HANDLE HINGE PIN BRACKET (LEFT) ASSEMBLY	X	X	
03	356826-451	ARM TOP COVER HANDLE HINGE PIN BRACKET MOUNTING SCREW	X	X	
04	179987-002	ARM TOP COVER ASSEMBLY (WITH "SAMBA 1" LOGO)	X		
04	353372-002	ARM TOP COVER ASSEMBLY (WITH "SAMBA 3" LOGO)		X	
04	353372-001	ARM TOP COVER ASSEMBLY (WITHOUT LOGO)		X	
05	353592-451	ARM TOP COVER HANDLE ASSEMBLY	X	X	
06	445721	ARM TOP COVER HANDLE RETAINING RING	X	X	
07	354975-451	ARM TOP COVER SCREW (LEFT)	X	X	
08	531848-453	ARM TOP COVER ASSEMBLY COMPLETE (WITHOUT LOGO)		X	
08	531848-454	ARM TOP COVER ASSEMBLY (WITH "SAMBA 3" LOGO)		X	
08	531847-454	ARM TOP COVER ASSEMBLY (WITH "SAMBA 1" LOGO)	X		
09	179967-451	ARM TOP COVER SPOOL PIN THREAD LEAD-OFF	X	X	
10	354895-453	ARM TOP COVER SCREW (RIGHT REAR & FRONT)	X	X	
11	141808-452	ARM TOP COVER HANDLE HINGE PIN BRACKET (RIGHT) RETAINING SET SCREW	X	X	
12	113455-001	ARM TOP COVER MOUNTING BRACKET (RIGHT) MOUNTING SCREW	X	X	X
13	356178	ARM TOP COVER MOUNTING PIN BRACKET (RIGHT)	X	X	X
14		REFER TO CHARTS ON FOLLOWING PAGE			
15	354637-453	ARM END COVER SCREW	X	X	X
16	354133-453	FACE PLATE SCREW	X	X	X
17	353433-454	FACE PLATE COMPLETE WITH GRILLE (EUROPE ALTERNATE)	X	X	X
17	446452-455	FACE PLATE COMPLETE (USA/CANADA/ALAFE)	X	X	X
18	179967-461	ARM TOP COVER SPOOL PIN THREAD LEAD-OFF	X	X	X
19	531960-455	ARM TOP COVER COMPLETE (W/O LOGO)	X		
19	531962-464	ARM TOP COVER COMPLETE (W/O LOGO)		X	
19	356574-457	ARM TOP COVER COMPLETE (W/O LOGO)			X
20	354895-453	ARM TOP COVER SCREW	X	X	X
21	354895-453	ARM TOP COVER MOUNTING SCREW (RIGHT REAR & FRONT)	X	X	X
22	141920-453	BOBBIN WINDER STOP SCREW	X	X	X
23	445924	BOBBIN WINDER STOP	X	X	X
24	53640-819	BOBBIN WINDER STOP SCREW NUT	X	X	X
25	356258	BOBBIN WINDER TENSION COMPLETE	X	X	X
26	445444-900	CONTROL PANEL THREAD GUIDE	X	X	X
27	313563-455	ARM TOP COVER THREAD GUIDE	X	X	X
28	354826-451	ARM TOP COVER MOUNTING BRACKET SCREW	X	X	X
29	531765	ARM TOP COVER MOUNTING BRACKET (LEFT)	X	X	X
30	356973-451	ARM TOP COVER HANDLE	X	X	X
31	354810-451	ARM TOP COVER THREAD GUIDE SCREW	X	X	X
32	356788	ARM TOP COVER HANDLE BRACKET NUT PLATE	X	X	X
33	354633-453	ARM TOP COVER HANDLE BRACKET NUT PLATE SCREW	X	X	X
34	356786	ARM TOP COVER HANDLE HINGE BRACKET	X	X	X
35	353573	ARM TOP COVER HANDLE WASHER	X	X	X

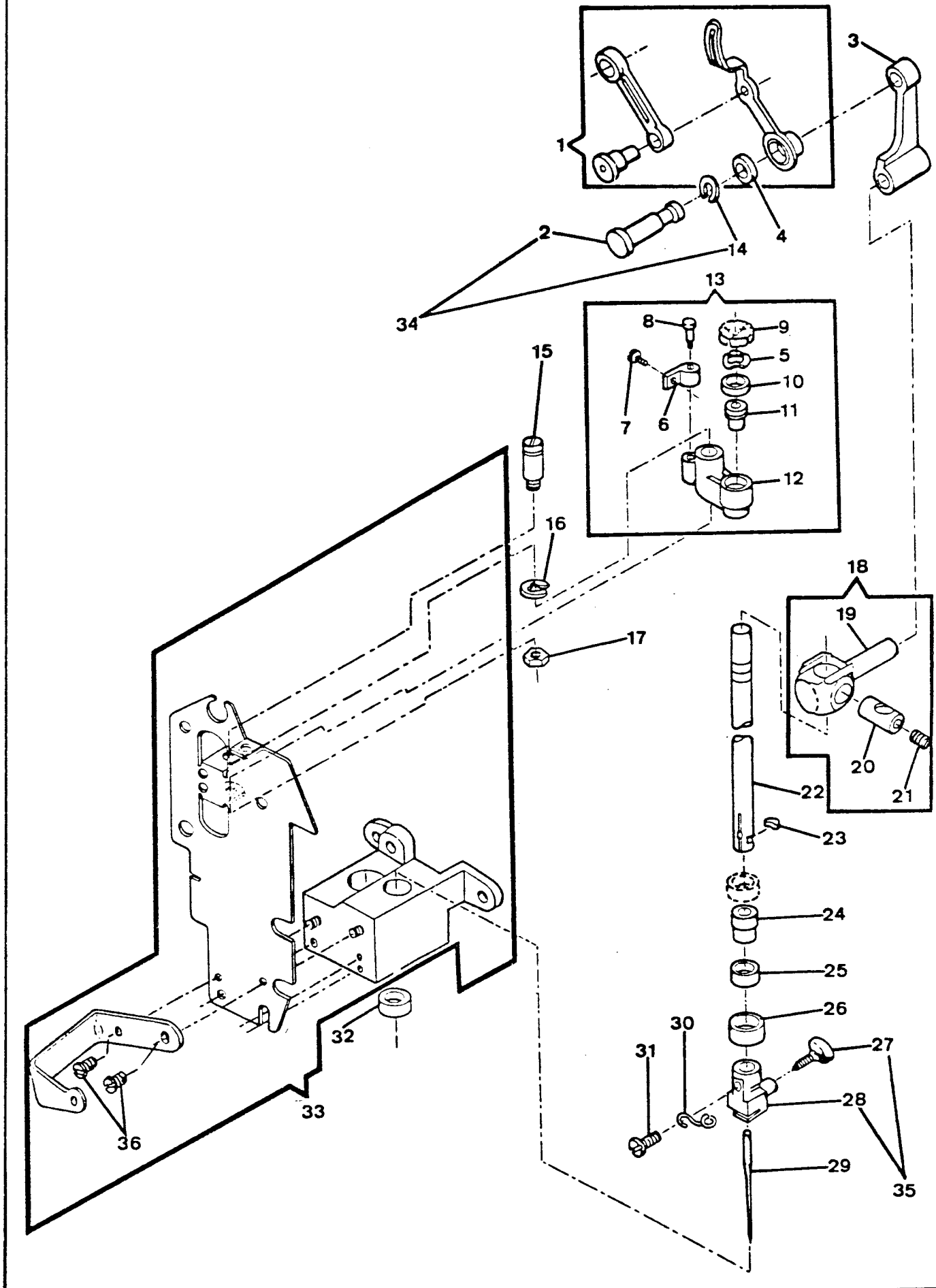
From the library of: Diamond Needle Corp

ARM END COVER

PART NBR	A	B	C	D	E	F	G	H	I
531681-017	X								6011
-018		X							6011
-019			X						6011
-020				X					6011
-021					X				6011
-022						X			6011
-023							X		6011
-024								X	6011
-025	X								6012
-026		X							6012
-027			X						6012
-028				X					6012
-029					X				6012
-030						X			6012
-031							X		6012
-032								X	6012
-036									X 6012
-043	X								6017
-044		X							6017

- A - EUROPE
- B - U.K.
- C - U.S. - CANADA
- D - AUSTRALIA
- E - NON-REG.EUR.
- F - INT.GROUP-110V
- G - INT.GROUP-220V
- H - CYPRUS-220V
- I - U.S/SCHOOL

NEEDLE BAR, PRESSER BAR & TAKE-UP



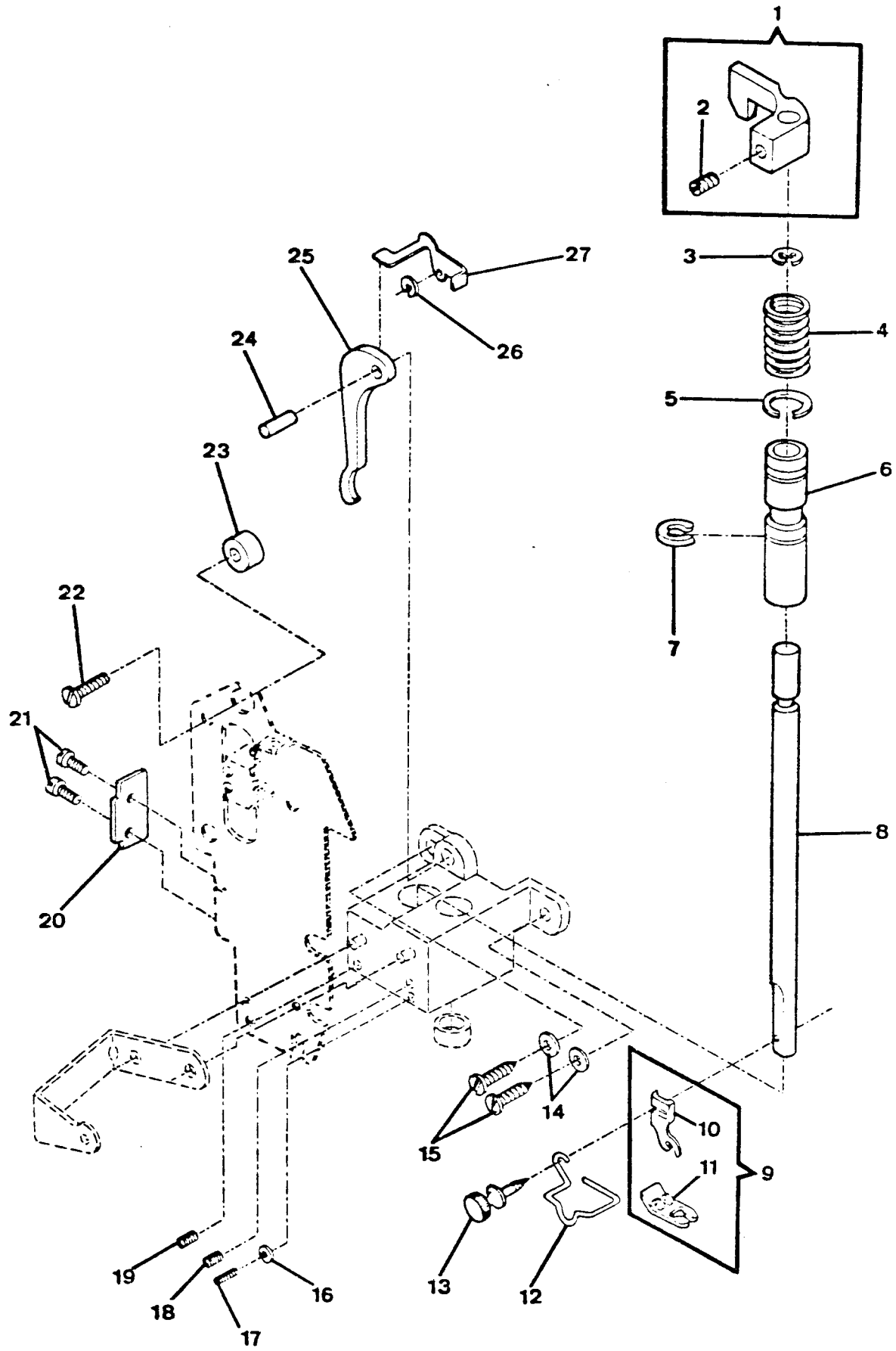
From the library of: Diamond Needle Corp

PART LIST
NEEDLE BAR, PRESSER BAR & TAKE-UP

REF.	PART NBR	DESCRIPTION	6	6	6
			0	0	0
			1	1	1
			1	2	7
01	445672	THREAD TAKE-UP LEVER COMPLETE	X	X	X
02	446260	THREAD TAKE-UP STUD	X	X	X
03	446357	NEEDLE BAR CONNECTING LINK	X	X	X
04	543531	THREAD TAKE-UP STUD THRUST WASHER	X	X	X
05	353424	NEEDLE BAR BALL BUSHING (UPPER) WAVED WASHER	X	X	X
06	446190	NEEDLE BAR DRIVING ARM HINGE BRACKET	X	X	X
07	141844-819	NEEDLE BAR DRIVING ARM HINGE BRACKET SCREW	X	X	X
08	37935	NEEDLE BAR DRIVING ARM HINGE BRACKET HINGE PIN	X	X	X
09	353522	NEEDLE BAR BALL BUSHING (UPPER) RETAINING RING	X	X	X
10	507379	NEEDLE BAR BALL BUSHING (UPPER) SOCKET	X	X	X
11	446355-001	NEEDLE BAR BALL BUSHING (UPPER)	X	X	X
12	353521	NEEDLE BAR VIBRATING BRACKET (PLASTIC)	X	X	X
13	353520	NEEDLE BAR VIBRATING BRACKET COMPLETE	X	X	X
14	445486	THREAD TAKE-UP STUD RETAINING RING	X	X	X
15	446359	NEEDLE BAR VIBRATING BRACKET HINGE PIN	X	X	X
16	445721	NEEDLE BAR VIBRATING BRACKET HINGE PIN RETAINING RING	X	X	X
17	353402-451	NEEDLE BAR VIBRATING BRACKET HINGE PIN NUT	X	X	X
18	353549-940	NEEDLE BAR COMPLETE	X	X	X
19	353549	NEEDLE BAR CONNECTING STUD	X	X	X
20	37931	NEEDLE BAR CONNECTING STUD HINGE PIN	X	X	X
21	141916-833	NEEDLE BAR CLAMPING SCREW	X	X	X
22	445793	NEEDLE BAR	X	X	X
23	37943	NEEDLE BAR GIB	X	X	X
24	446355-001	NEEDLE BAR BUSHING (LOWER)	X	X	X
25	507379	NEEDLE BAR BALL BUSHING (LOWER) SOCKET	X	X	X
26	446361-001	NEEDLE BAR BALL BUSHING (LOWER) ADJUSTING COLLAR	X	X	X
27	355248-451	NEEDLE THUMB SCREW	X	X	X
28	353630	NEEDLE CLAMP BODY	X	X	X
29	204514-100	NEEDLE (SIZE NBR 14)	X	X	X
30	353629	NEEDLE CLAMP THREAD GUIDE	X	X	X
31	141808-451	NEEDLE CLAMP BOBY, THREAD GUIDE & NEEDLE STOP SCREW	X	X	X
32	44450	NEEDLE BAR BUSHING (LOWER) SOCKET (UPPER)	X	X	X
33	356599-001	NEEDLE BAR, PRESSER BAR & VIBRATING BRACKET HOUSING ASSEMBLY	X	X	X
34	446261	THREAD TAKE-UP STUD WITH RETAINING RING	X	X	X
35	356631	NEEDLE CLAMP BODY WITH SCREW	X	X	X
36	113480-451	NEEDLE BAR, PRESSER BAR & VIBRATING BRACKET HOUSING PLATE MOUNTING SCREW	X	X	X

From the library of: Diamond Needle Corp

NEEDLE BAR, PRESSER BAR & TAKE-UP (CONT.)



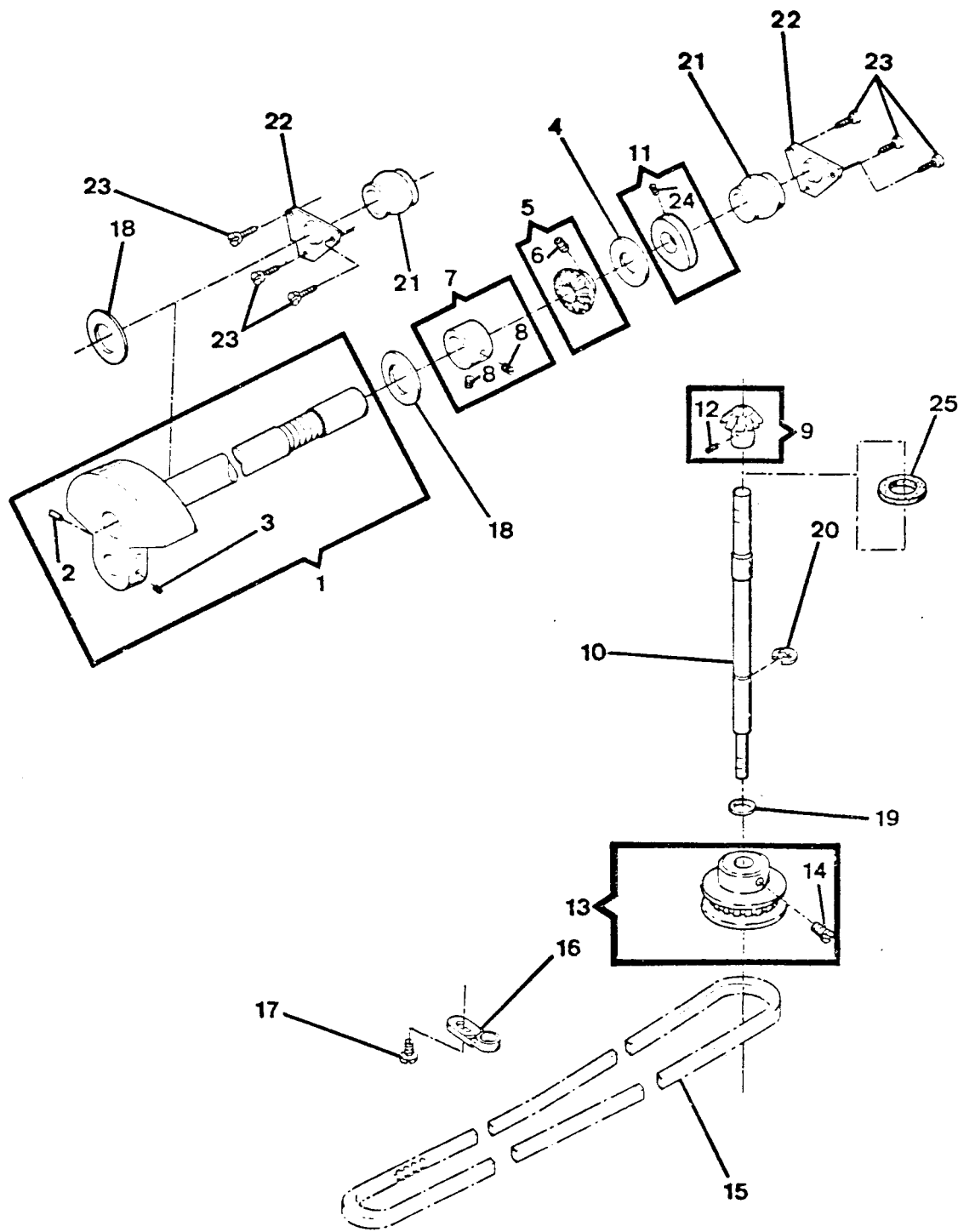
From the library of: Diamond Needle Corp

PART LIST
NEEDLE BAR, PRESSER BAR & TAKE-UP (CONT.)

REF.	PART NBR	DESCRIPTION	6	6	6
			0	0	0
			1	1	1
			1	2	7
01	353212	PRESSER BAR GUIDE BRACKET ASSEMBLY	X	X	X
02	141925-833	PRESSER BAR GUIDE BRACKET SET SCREW	X	X	X
03	353215	PRESSER BAR SPRING RETAINING RING (UPPER)	X	X	X
04	353214	PRESSER BAR SPRING	X	X	X
05	353252	PRESSER BAR SPRING RETAINING RING	X	X	X
06	445947-001	PRESSER BAR BUSHING	X	X	X
07	353252	PRESSER BAR BUSHING LOCATOR RING	X	X	X
08	314638	PRESSER BAR	X	X	X
09	446372	PRESSER FOOT (SNAP-ON) COMPLETE FOR ZIG-ZAG SEWING	X	X	X
10	155964	PRESSER FOOT SHANK (SNAP-ON)	X	X	X
11	446371	PRESSER FOOT PLATE (SNAP-ON) FOR ZIG-ZAG SEWING	X	X	X
12	116863	FINGER GUARD (FOR EUROPE ONLY)	X	X	X
13	354135-452	PRESSER FOOT THUMB SCREW	X	X	X
14	353375-451	NEEDLE BAR, PRESSER BAR & VIBRATING BRACKET HOUSING MOUNTING SCREW (LOWER) WASHER	X	X	X
15	113434-451	NEEDLE BAR, PRESSER BAR & VIBRATING BRACKET HOUSING MOUNTING SCREW (LOWER)	X	X	X
16	54591-451	NEEDLE BAR OVER THROW SET SCREW NUT	X	X	X
17	354993-451	NEEDLE BAR OVER THROW SET SCREW	X	X	X
18	141938-833	NEEDLE BAR BALL BUSHING (LOWER) ADJUSTING COLLAR SET SCREW	X	X	X
19	354906-451	PRESSER BAR BUSHING SET SCREW	X	X	X
20	446353	PRESSER BAR GUIDE BRACKET POSITIONER	X	X	X
21	141913-451	PRESSER BAR GUIDE BRACKET POSITIONER SCREW	X	X	X
22	113455-009	NEEDLE BAR & PRESSER BAR VIBRATING BRACKET HOUSING MOUNTING SCREW (UPPER)	X	X	X
23	531627	NEEDLE BAR & PRESSER BAR VIBRATING BRACKET HOUSING MOUNTING BUSHING	X	X	X
24	446354-451	PRESSER BAR LIFTER HINGE PIN	X	X	X
25	446356	PRESSER BAR LIFTER WITH SCREW	X	X	X
26	445486	TENSION RELEASING LEVER RETAINING RING	X	X	X
27	445925	TENSION RELEASING LEVER	X	X	X

From the library of: Diamond Needle Corp

ARM SHAFT DRIVE



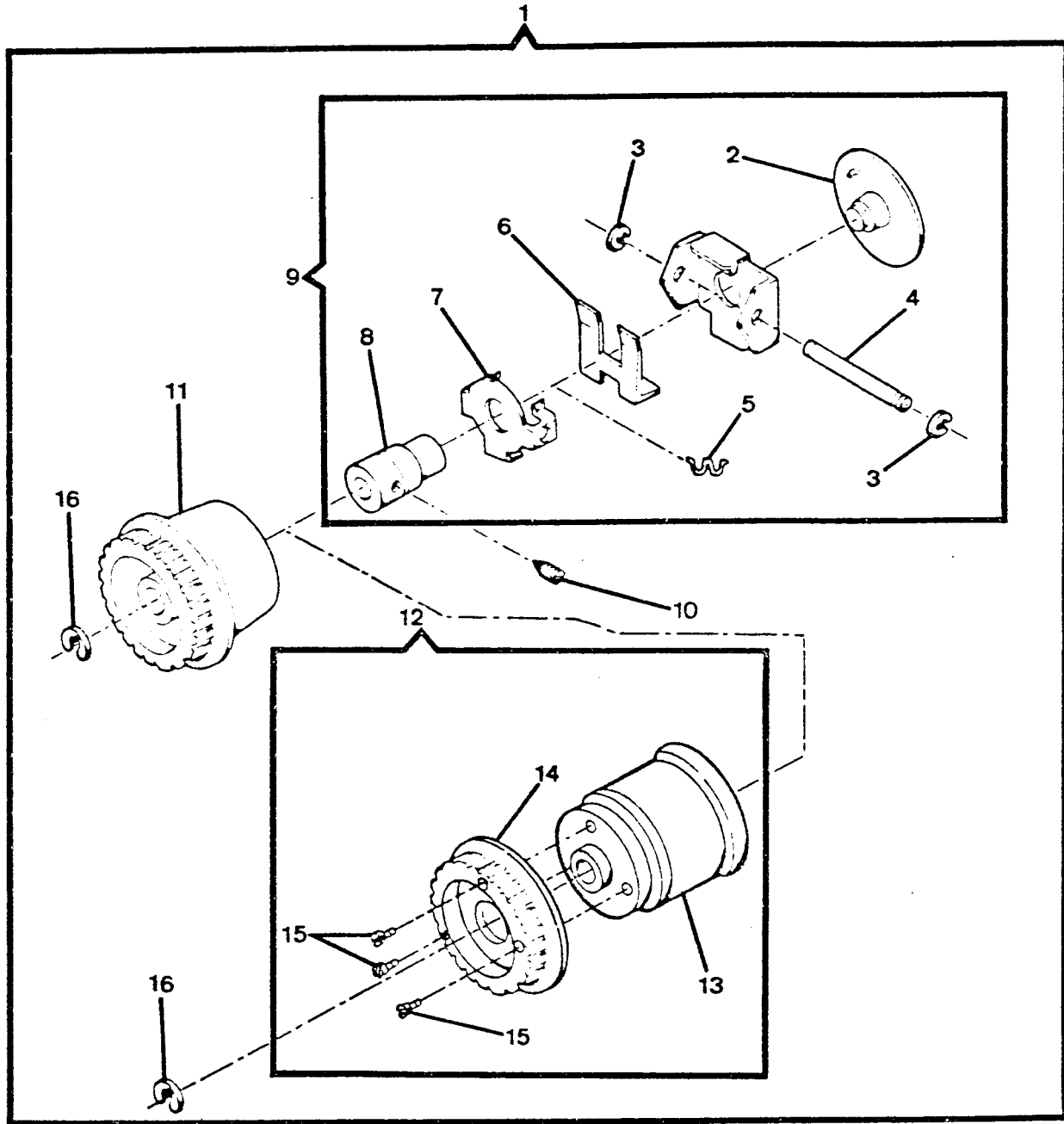
From the library of: Diamond Needle Corp

PART LIST
ARM SHAFT DRIVE

REF.	PART NBR	DESCRIPTION	6	6	6
			0	0	0
			1	1	1
			1	2	7
01	531657	ARM SHAFT (HORIZONTAL) COMPLETE	X	X	X
02	445898	NEEDLE BAR CRANK PIN	X	X	X
03	354105-833	NEEDLE BAR CRANK POSITION SET SCREW	X	X	X
04	37284-001	FEED FORKED CONNECTING RETAINING WASHER (PLASTIC)	X	X	X
05	319695	ARM SHAFT (HORIZONTAL) BEVEL GEAR (PLASTIC)	X	X	X
06	354813-451	ARM SHAFT (HORIZONTAL) BEVEL GEAR & FEED LIFTING (ECCENTRIC) SET SCREW	X	X	X
07	353580	ARM SHAFT (HORIZONTAL) RETAINING COLLAR COMPLETE	X	X	X
08	113500-451	ARM SHAFT (HORIZONTAL) RETAINING COLLAR SET SCREW	X	X	X
09	531658	ARM SHAFT BEVEL GEAR (UPRIGHT) COMPLETE	X	X	X
10	531659	ARM SHAFT (UPRIGHT)	X	X	X
11	179993	FEED CAM WITH SCREW	X	X	X
12	354105-833	ARM SHAFT (UPRIGHT) BEVEL GEAR (PLASTIC) SET SCREW	X	X	X
13	445543	ARM SHAFT (UPRIGHT) BELT DRIVE PULLEY COMPLETE	X	X	X
14	354906-451	ROTATING HOOK BELT DRIVE PULLEY SET SCREW	X	X	X
15	37977	BELT (ROTATING HOOK DRIVE)	X	X	X
16	531630	ROTATING HOOK DRIVE BELT TENSION ADJUSTED	X	X	X
17	354833-451	ROTATING HOOK DRIVE BELT TENSIONER SCREW	X	X	X
18	319764	NEEDLE BAR CRANK WASHER (PLASTIC)	X	X	X
19	353394	ARM SHAFT (UPRIGHT) RETAINING RING WASHER	X	X	X
20	353215	ARM SHAFT (UPRIGHT) RETAINING RING	X	X	X
21	446384	ARM SHAFT BUSHING (LEFT & RIGHT)	X	X	X
22	446385	ARM SHAFT BUSHING RETAINING PLATE	X	X	X
23	113455-001	ARM SHAFT BUSHING RETAINING BRACKET SCREW	X	X	X
24	354813-451	FEED CAM SET SCREW	X	X	X
25	356819	ARM SHAFT (UPRIGHT) FELT WASHER	X	X	X

From the library of: Diamond Needle Corp

HAND WHEEL

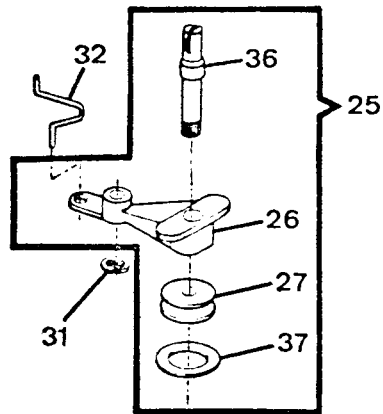
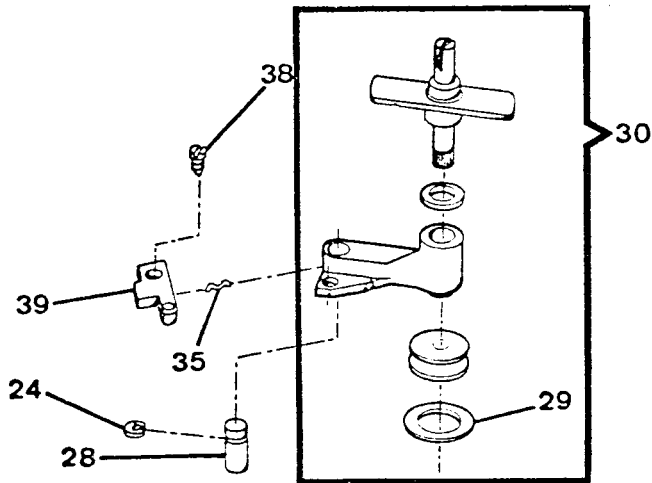
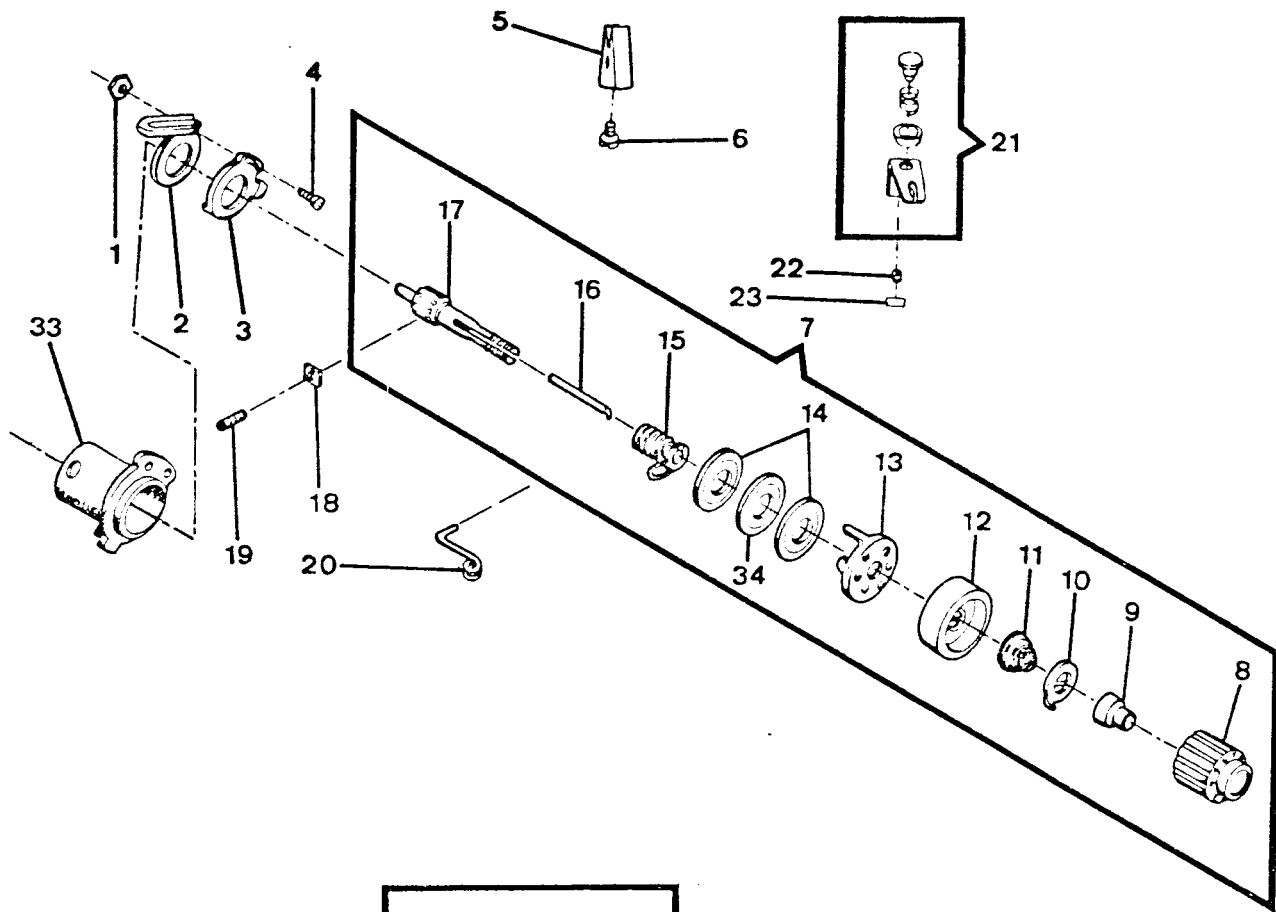


From the library of: Diamond Needle Corp

PART LIST
HAND WHEEL

REF.	PART NBR	DESCRIPTION	6	6	6
			0	0	0
			1	1	1
			1	2	7
01	446391-454	HAND WHEEL (PLASTIC) COMPLETE	X	X	
01	446460-451	HAND WHEEL (CAST IRON) COMPLETE (FOR TREADLE/ ELETRIC)			X
02	446297-904	HAND WHEEL DISENGAGING CLUTCH ENGAGING PLATE COVER	X	X	X
03	445721	HAND WHEEL DISENGAGING CLUTCH ENGAGING PLATE HINGE PIN RETAINER RING	X	X	X
04	319560	HAND WHEEL DISENGAGING CLUTCH ENGAGING PLATE HINGE PIN	X	X	X
05	531628	HAND WHEEL DISENGAGING CLUTCH ACTUATING SPRING	X	X	X
06	319567	HAND WHEEL DISENGAGING CLUTCH BUSHING PLATE RETAINER	X	X	X
07	319566	HAND WHEEL DISENGAGING CLUTCH BUSHING PLATE	X	X	X
08	446390	HAND WHEEL DISENGAGING CLUTCH BUSHING	X	X	X
09	446343-453	HAND WHEEL DISENGAGING CLUTCH BUSHING COMPLETE	X	X	X
10	354813-451	HAND WHEEL DISENGAGING CLUTCH BUSHING SCREW	X	X	
11	446386-454	HAND WHEEL (PLASTIC) (ELETRIC)	X	X	X
12	179894-451	HAND WHEEL (TREADLE) ASSEMBLY (CAST IRON)			X
13	179896-451	HAND WHEEL DISEENGAGING CLUTCH ASSEMBLY (CAST IRON)			X
14	179895	HAND WHEEL (TREADLE) SPROCKET (PLASTIC)			X
15	354656-451	HAND WHEEL (TREADLE) SPROCKET SCREW			X
16	446387	HAND WHEEL RETAINING RING	X	X	X

TENSION & BOBBIN WINDER



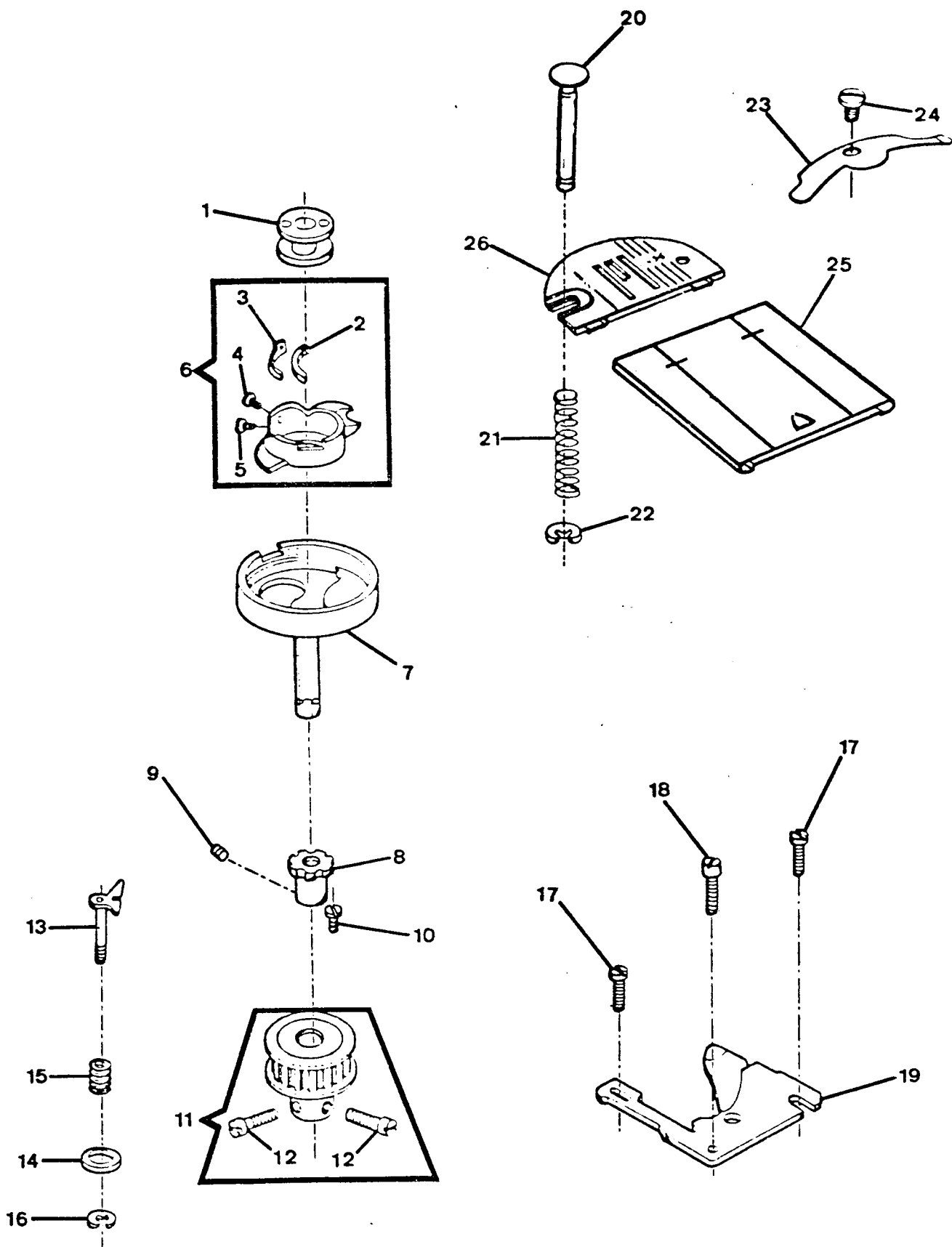
From the library of: Diamond Needle Corp

PART LIST
TENSION & BOBBIN WINDER

REF.	PART NBR	DESCRIPTION	6	6	6
			0	0	0
			1	1	1
			1	2	7
01	514698-451	SLACK THREAD REGULATOR & TENSION THREAD GUIDE SCREW NUT	X	X	X
02	446440	THREAD GUIDE (UPPER)	X	X	X
03	179936-451	SLACK THREAD REGULATOR & TENSION THREAD GUIDE	X	X	X
04	141808-451	SLACK THREAD REGULATOR & TENSION THREAD GUIDE & THREAD GUIDE (UPPER) SCREW	X	X	X
05	445126-454	ARM TOP COVER THREAD GUIDE	X	X	X
06	113342-451	ARM TOP COVER THREAD GUIDE SCREW	X	X	X
07	353583-456	TENSION COMPLETE	X	X	X
08	445054-034	TENSION INDICATOR DIAL (WITH GRAPHICS)	X	X	X
09	446126	TENSION INDICATOR ADAPTER	X	X	X
10	37984	TENSION MOUNTING BRACKET	X	X	X
11	125314	TENSION SPRING	X	X	X
12	44879-482	TENSION SPRING CAP (HOT STAMPED)	X	X	X
13	45343	THREAD TAKE-UP SPRING THREAD GUARD	X	X	X
14	2102-001	TENSION DISC (SMALL)	X	X	X
15	66774-002	THREAD TAKE-UP SPRING	X	X	X
16	353578	TENSION RELEASING PIN	X	X	X
17	44454	TENSION STUD	X	X	X
18	353367-451	TENSION STUD SET SCREW NUT	X	X	X
19	141803-830	TENSION STUD SET SCREW	X	X	X
20	445784	THREAD GUIDE (LOWER)	X	X	X
21	44368	BOBBIN WINDER TENSION COMPLETE (FOR OLD ATC)	X	X	X
22	141936-833	BOBBIN WINDER TENSION ADJUSTING SCREW (FOR OLD A.T.C.)	X	X	X
23	44794	BOBBIN WINDER TENSION ADJUSTING SCREW RETAINING CLIP (FOR OLD ATC)	X	X	X
24	44371	BOBBIN WINDER LEVER RETAINING RING	X	X	X
25	531767-452	BOBBIN WINDER ASSEMBLY	X	X	X
26	531770-452	BOBBIN WINDER FRAME	X	X	X
27	44440	BOBBIN WINDER PULLEY	X	X	X
28	446465-001	BOBBIN WINDER LEVER HINGE STUD	X	X	X
29	15287-701	BOBBIN WINDER FRICTION RING	X	X	
30	446469-001	BOBBIN WINDER ASSEMBLY	X	X	
31	445486	BOBBIN WINDER RETAINING RING	X	X	X
32	531766	BOBBIN WINDER HINGE STOP SPRING	X	X	X
33	356226-453	TENSION ADAPTOR	X	X	X
34	44633	TENSION DISC (MIDDLE)	X	X	X
35	446477	BOBBIN WINDER SPRING	X	X	
36	356913	BOBBIN WINDER SPINDLE COMPLETE	X	X	X
37	15287-701	BOBBIN WINDER FRICTION RING	X	X	X
38	113458-001	BOBBIN WINDER SPRING MOUNTING PLATE SCREW	X	X	
39	446463	BOBBIN WINDER SPRING MOUNTING PLATE & STOP	X	X	

From the library of: Diamond Needle Corp

ROTATING HOOK, THROAT PLATE & BED SLIDE



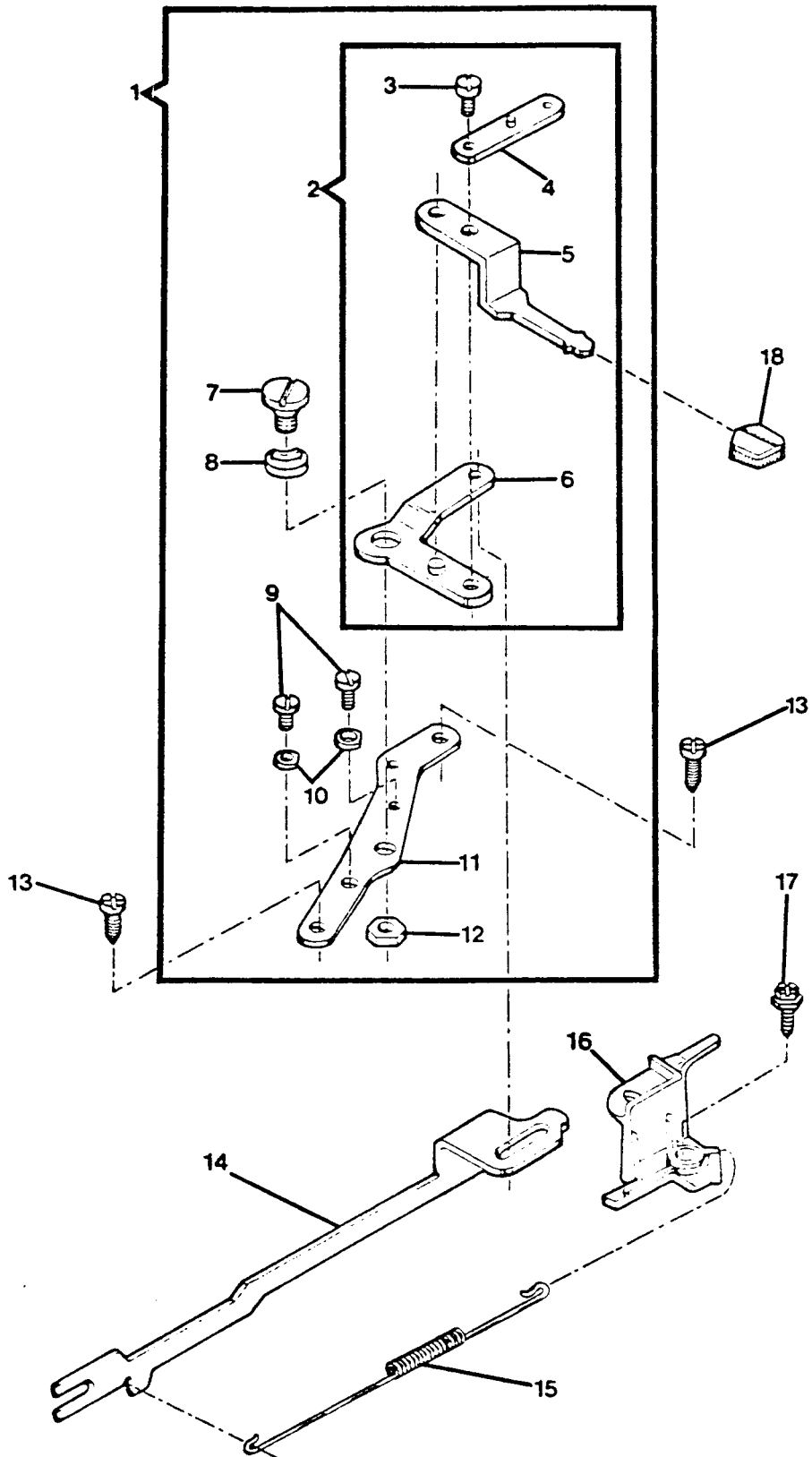
From the library of: Diamond Needle Corp

PART LIST
 ROTATING HOOK, THROAT PLATE & BED SLIDE

REF.	PART NBR	DESCRIPTION	6	6	6
			0	0	0
			1	1	1
			1	2	7
01	172336	BOBBIN (PLASTIC)	X	X	X
02	356490-451	ROTATING HOOK BOBBIN CASE TENSION SPRING SEGMENT	X	X	X
03	314715	ROTATING HOOK BOBBIN CASE TENSION SPRING	X	X	X
04	354183-452	ROTATING HOOK BOBBIN CASE TENSION REGULATING SCREW	X	X	X
05	139975-452	ROTATING HOOK BOBBIN CASE TENSION SPRING SEGMENT SCREW	X	X	X
06	421325	ROTATING HOOK BOBBIN CASE COMPLETE	X	X	X
07	356720	ROTATING HOOK	X	X	X
08	353410-900	ROTATING HOOK FLANGED BUSHING (ECCENTRIC)	X	X	X
09	141925-833	ROTATING HOOK FLANGED BUSHING SET SCREW	X	X	X
10	139943-803	ROTATING HOOK FLANGED BUSHING (ECCENTRIC) POSITIONING ADJUSTING SCREW	X	X	X
11	445559	ROTATING HOOK BELT DRIVE PULLEY COMPLETE	X	X	X
12	354906-451	ROTATING HOOK BELT DRIVE PULLEY SET SCREW	X	X	X
13	353511	ROTATING HOOK BOBBIN CASE RETAINING PLATE ASSEMBLY	X	X	X
14	445808	ROTATING HOOK BOBBIN CASE RETAINING PLATE STUD WASHER	X	X	X
15	44892	ROTATING HOOK BOBBIN CASE RETAINING PLATE STUD SPRING	X	X	X
16	353509	ROTATING HOOK BOBBIN CASE RETAINING PLATE RING	X	X	X
17	354917-451	ROTATING HOOK BOBBIN CASE POSITION PLATE SCREW	X	X	X
18	354917-451	ROTATING HOOK BOBBIN CASE RETAINING PLATE (ADJUSTABLE & POSITION PLATE SCREW)	X	X	X
19	44873-001	ROTATING HOOK BOBBIN CASE POSITION PLATE	X	X	X
20	444888	THROAT PLATE CLAMP	X	X	X
21	444889	THROAT PLATE CLAMP SPRING	X	X	X
22	445721	THROAT PLATE CLAMP SPRING RETAINING RING	X	X	X
23	37239	BED SLIDE SPRING	X	X	X
24	354552-451	BED SLIDE SPRING SCREW	X	X	X
25	446151	BED SLIDE	X	X	X
26	531663	THROAT PLATE	X	X	X

From the library of: Diamond Needle Corp

BIGHT AMPLITUDE



From the library of: Diamond Needle Corp

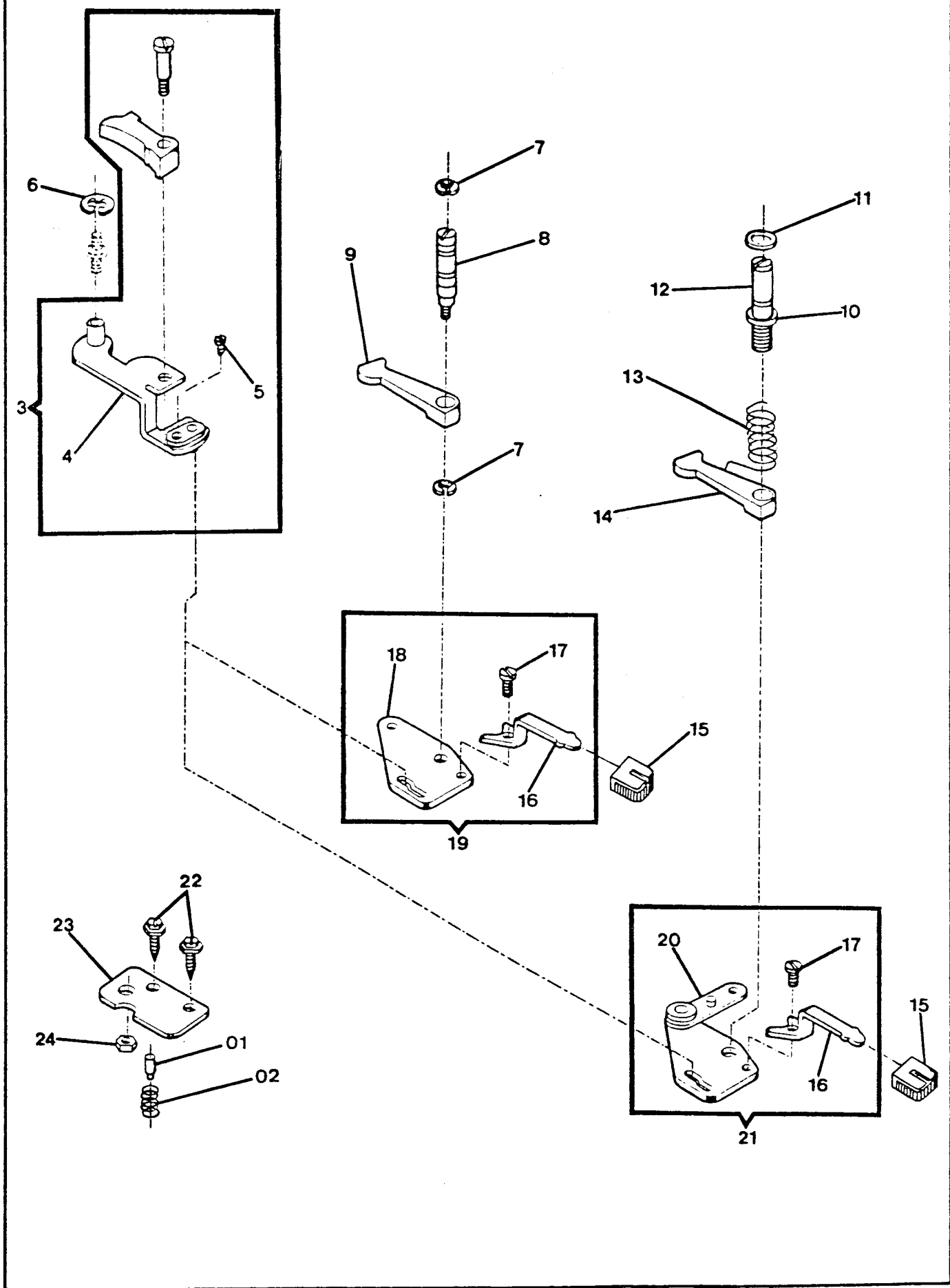
PART LIST
BIGHT AMPLITUDE

6 6 6
0 0 0
1 1 1
1 2 7

REF.	PART NBR	DESCRIPTION			
01	446396	BIGHT AMPLITUDE CONTROL LEVER MOUNTING BRACKET COMPLETE	X		
01	179893	BIGHT AMPLITUDE CONTROL LEVER MOUNTING BRACKET COMPLETE		X	X
02	446395	BIGHT AMPLITUDE CONTROL LEVER SUB-ASSEMBLY	X		
02	446342	BIGHT AMPLITUDE CONTROL LEVER SUB-ASSEMBLY		X	X
03	141913-451	BIGHT AMPLITUDE CONTROL LEVER SCREW	X		
03	139866-451	BIGHT AMPLITUDE CONTROL LEVER SCREW		X	X
04	44556	BUTTONHOLER BIGHT CONTROL CAM FOLLOWER LEVER LINK (LEFT)		X	X
05	446394	BIGHT AMPLITUDE CONTROL LEVER	X	X	X
06	37246	BIGHT AMPLITUDE CONTROL LEVER LINK	X	X	X
07	354825-451	BIGHT AMPLITUDE CONTROL LEVER LINK HINGE SCREW	X	X	X
08	49204	BIGHT AMPLITUDE CONTROL LEVER LINK HINGE SCREW FRICTION WASHER	X	X	X
09	141913-451	BIGHT AMPLITUDE CONTROL LEVER LINK STOP SCREW	X	X	X
10	446904	BIGHT AMPLITUDE CONTROL LEVER LINK STOP	X	X	X
11	531793	BIGHT AMPLITUDE CONTROL LEVER MOUNTING BRACKET	X	X	X
12	54591-451	BIGHT AMPLITUDE CONTROL LEVER LINK HINGE SCREW NUT	X	X	X
13	113455-001	BIGHT AMPLITUDE CONTROL LEVER MOUNTING BRACKET SCREW (LEFT & RIGHT)	X	X	X
14	37933-002	NEEDLE BAR DRIVING ARM	X	X	X
15	37942	NEEDLE BAR DRIVING ARM TENSION SPRING	X	X	X
16	445780	LIGHT LEAD SHIELD & NEEDLE BAR DRIVING ARM TENSION SPRING MOUNTING PLATE	X	X	X
17	113455-009	LIGHT LEAD SHIELD & NEEDLE BAR DRIVING ARM TENSION SPRING MOUNTING PLATE SCREW	X	X	X
18	356961-454	BIGHT AMPLITUDE CONTROL LEVER KNOB (PLASTIC)	X	X	
18	356961-453	BIGHT AMPLITUDE CONTROL LEVER KNOB (PLASTIC)			X

From the library of: Diamond Needle Corp

NEEDLE POSITION



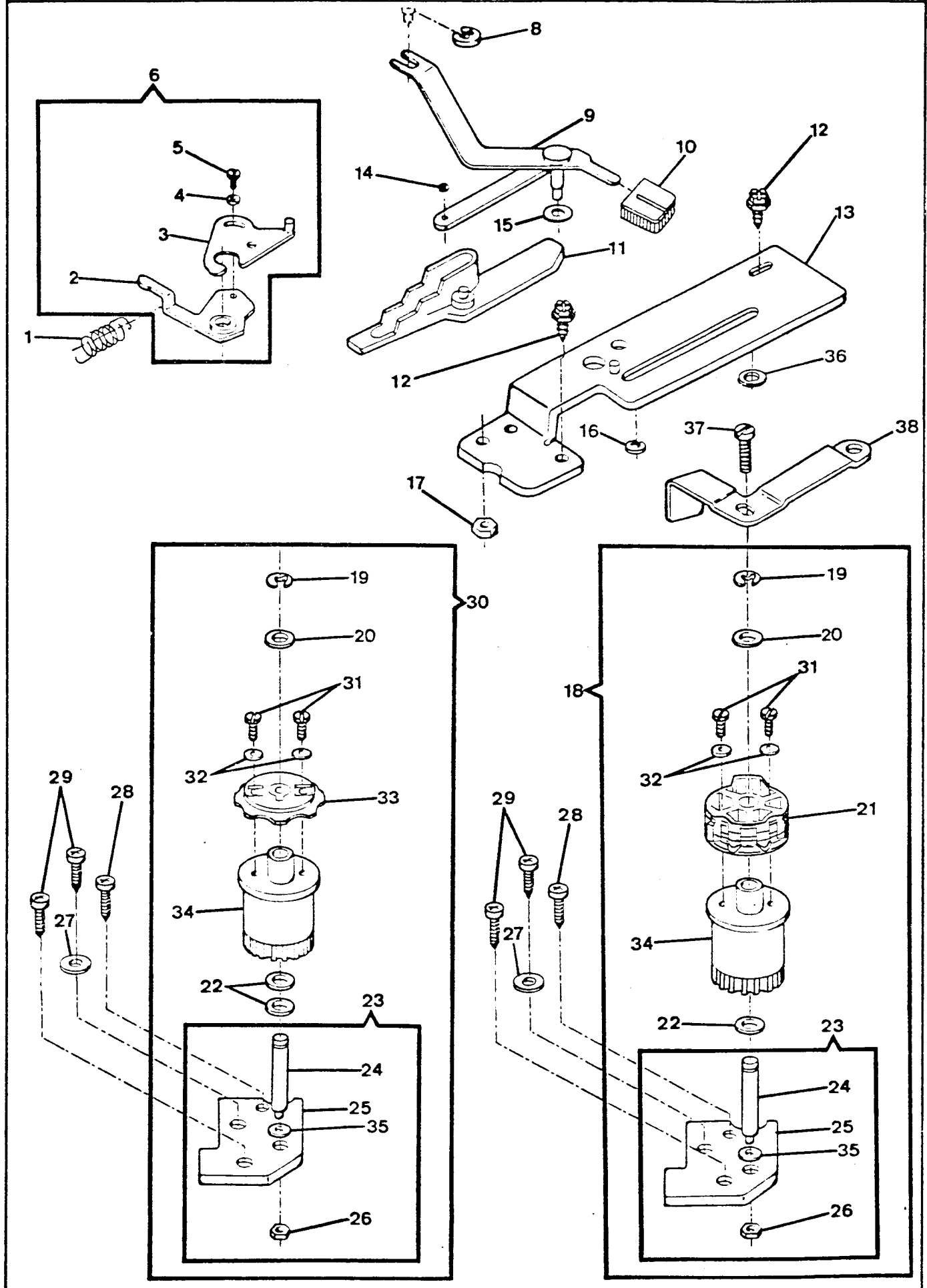
From the library of: Diamond Needle Corp

PART LIST
NEEDLE POSITION

REF.	PART NBR	DESCRIPTION	6	6	6
			0	0	0
			1	1	1
			1	2	7
01	356228	NEEDLE POSITION SELECTOR LEVER BRACKET POSITIONING PIN	X	X	X
02	444800	NEEDLE POSITION SELECTOR LEVER BRACKET POSITIONING PIN SPRING	X	X	X
03	356513	NEEDLE BAR DRIVING ARM SLIDE BRACKET ASSEMBLY	X	X	X
04	356514	NEEDLE BAR DRIVING ARM SLIDE BRACKET WITH BUSHING	X	X	X
05	141913-451	NEEDLE POSITION LEVER BRACKET STUD ARM SET SCREW	X	X	X
06	445721	NEEDLE BAR VIBRATING BRACKET HINGE PIN RETAINING RING	X	X	X
07	44371	DISC FOLLOWER STUD RETAINING RING (UPPER & LOWER)	X		
08	446023	DISC FOLLOWER STUD	X		
09	445646	DISC FOLLOWER	X		
10	353585	DISC FOLLOWER STUD COLLAR		X	X
11	353548	DISC FOLLOWER STUD WASHER		X	X
12	353584	DISC FOLLOWER STUD		X	X
13	179897	DISC FOLLOWER SPRING		X	X
14	446404	DISC FOLLOWER (MACHINED)		X	X
15	446398-455	NEEDLE POSITION SELECTOR LEVER KNOB (PLASTIC)	X	X	
15	446398-454	NEEDLE POSITION SELECTOR LEVER KNOB (PLASTIC)			X
16	446397	NEEDLE POSITION SELECTOR LEVER	X	X	X
17	141913-451	NEEDLE POSITION SELECTOR LEVER SCREW	X	X	X
18	353547	NEEDLE POSITION SELECTOR LEVER BRACKET	X		
19	446399	NEEDLE POSITION SELECTOR LEVER ASSEMBLY	X		
20	44628	NEEDLE POSITION SELECTOR LEVER BRACKET		X	X
21	446400	NEEDLE POSITION SELECTOR LEVER BRACKET COMPLETE		X	X
22	113455-001	NEEDLE POSITION SELECTOR LEVER MOUNTING PLATE SET SCREW	X	X	X
23	446401	NEEDLE POSITION SELECTOR LEVER MOUNTING PLATE	X		
24	54591-451	NEEDLE POSITION SELECTOR LEVER BRACKET DISC FOLLOWER STUD NUT	X	X	X

From the library of: Diamond Needle Corp

DISC SELECTOR ASSEMBLY & CAM STACK



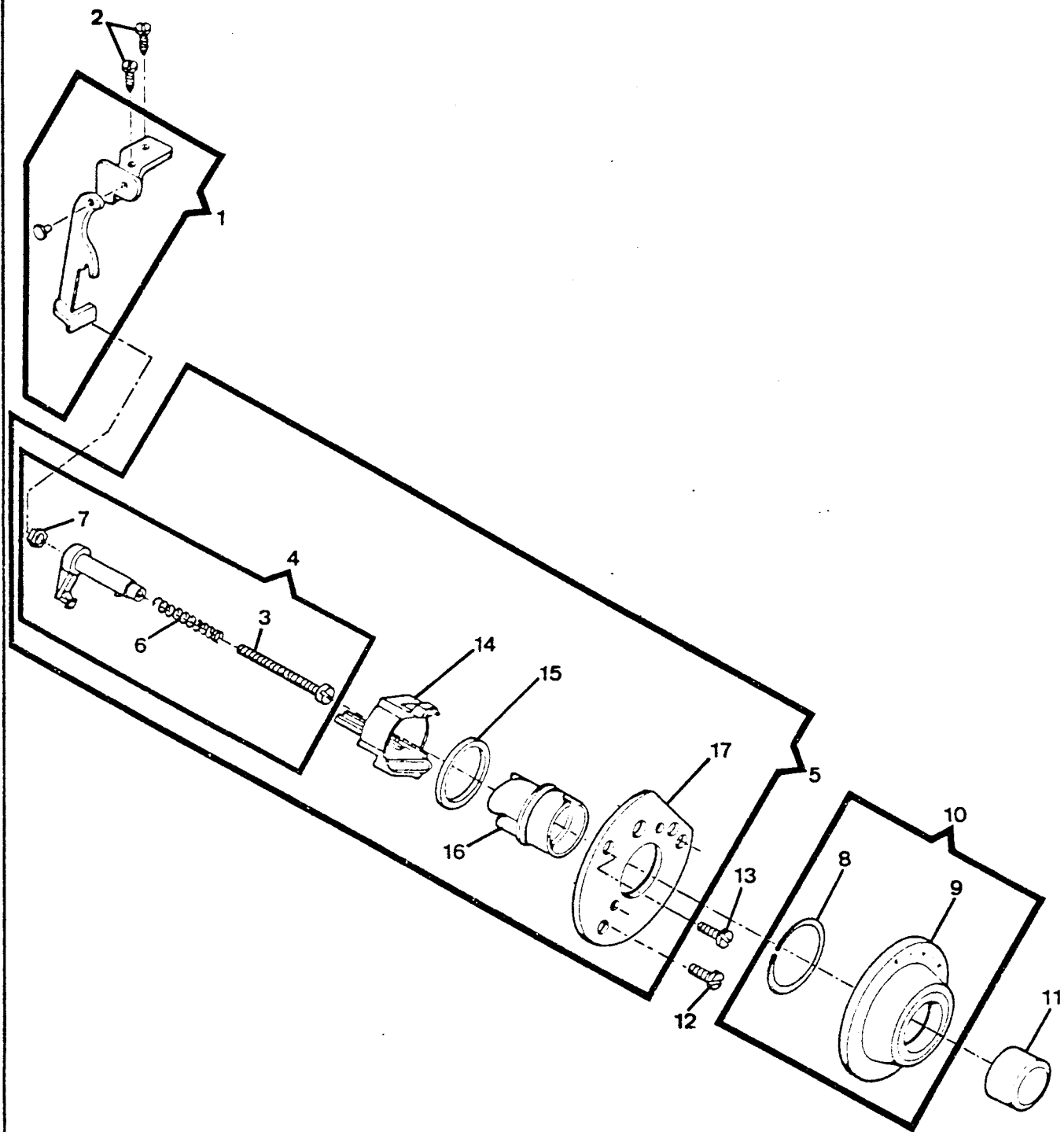
From the library of: Diamond Needle Corp

PART LIST
DISC SELECTOR ASSEMBLY & CAM STACK

REF.	PART NBR	DESCRIPTION	6 6 6		
			0	0	0
			1	1	1
			1	2	7
01	446415	DISC FOLLOWER DISENGAGING LEVER SPRING	X	X	
02	446412	DISC FOLLOWER DISENGAGING LEVER	X	X	
03	446411	DISC FOLLOWER DISENGAGING LEVER PLATE ASSEMBLY	X	X	
04	445808	DISC FOLLOWER DISENGAGING LEVER PLATE ADJUSTING SCREW WASHER	X	X	
05	141913-451	DISC FOLLOWER DISENGAGING LEVER PLATE ADJUSTING SCREW	X	X	
06	446410	DISC FOLLOWER DISENGAGING LEVER PLATE ASSEMBLY	X	X	
08	445486	PATTERN SELECTOR LEVER RETAINING RING	X	X	
09	446383	PATTERN SELECTOR LEVER COMPLETE	X	X	
10	446398-455	NEEDLE POSITION SELECTOR LEVER KNOB (PLASTIC)	X		
10	446398-454	NEEDLE POSITION SELECTOR LEVER KNOB (PLASTIC)			X
11	446406	PATTERN SELECTOR CAM SLIDE	X	X	
12	113455-001	PATTERN SELECTOR MOUNTING PLATE SCREW	X	X	
13	446405	PATTERN SELECTOR MOUNTING PLATE COMPLETE	X	X	
14	446417	PATTERN SELECTOR CAM SLIDE CONNECTING LINK RETAINING RING	X	X	
15	446138	PATTERN SELECTOR LEVER DRIVE STUD WASHER	X	X	
16	408030	PATTERN SELECTOR LEVER RETAINING RING	X	X	
17	54591-451	DISC FOLLOWER STUD NUT	X	X	
18	356288-930	DISC DRIVING GEAR COMPLETE	X		
18	356288-931	DISC DRIVING GEAR COMPLETE			X
19	444921	DISC DRIVING GEAR RETAINING RING	X	X	X
20	444923-453	DISC DRIVING GEAR SHAFT FRICTION WASHER	X	X	X
21	353287	DISC STACK		X	X
22	353424	DISC DRIVING GEAR SHAFT SPACER	X	X	
23	446420	DISC DRIVING GEAR SHAFT MOUNTING PLATE ASSEMBLY	X	X	
23	446420-001	DISC DRIVING GEAR SHAFT MOUNTING PLATE ASSEMBLY			X
24	446418	DISC DRIVING GEAR SHAFT	X	X	
24	446418-001	DISC DRIVING GEAR SHAFT			X
25	353575	DISC DRIVING GEAR SHAFT MOUNTING PLATE	X	X	X
26	53648-451	DISC DRIVING GEAR SHAFT NUT	X	X	
27	353375-451	DISC DRIVING GEAR SHAFT MOUNTING PLATE SCREW WASHER	X		
28	113455-001	DISC DRIVING GEAR SHAFT MOUNTING PLATE SCREW	X	X	X
29	113435-451	DISC DRIVING GEAR SHAFT MOUNTING PLATE SCREW	X	X	
30	446421-930	DISC DRIVING GEAR COMPLETE	X		
31	113375-451	DISC STACK POSITIONING SCREW	X		
31	141920-452	DISC STACK POSITIONING SCREW		X	X
32	179957-451	DISC STACK POSITIONING SCREW WASHER	X	X	
33	445762	DISC STACK (PLASTIC)	X		
34	179958	DISC DRIVING GEAR	X		
34	445754	DISC DRIVING GEAR		X	X
35	353488	DISC DRIVING GEAR SHAFT WASHER	X	X	X
36	353488	PATTERN SELECTOR MOUNTING PLATE SPACER		X	X
37	354654-451	DISC DRIVING GEAR SUPPORT BRACKET MOUNTING SCREW			X
38	353440-900	DISC DRIVING GEAR SUPPORT BRACKET			X

From the library of: Diamond Needle Corp

FEED REGULATOR CAM



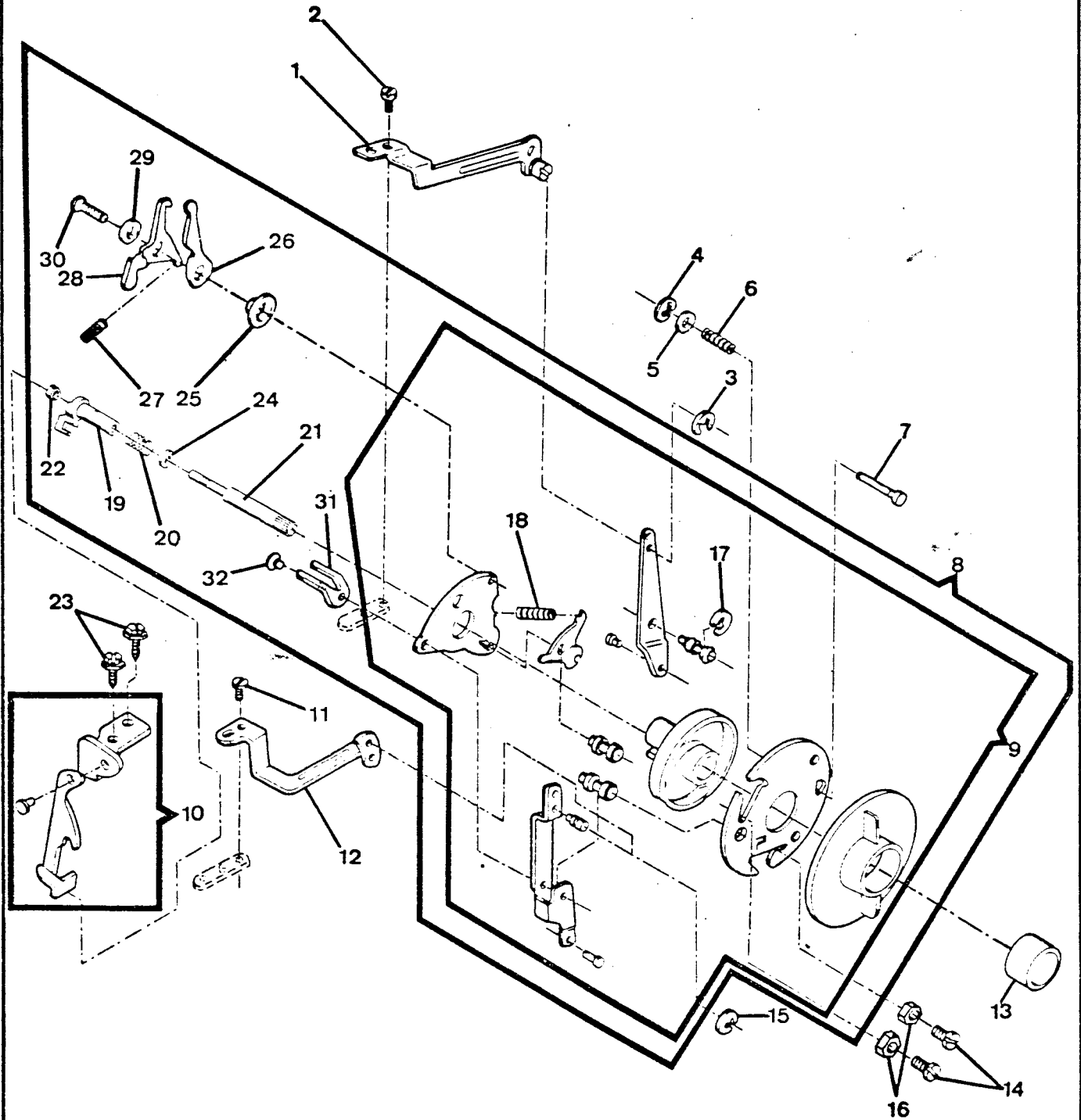
From the library of: Diamond Needle Corp

PART LIST
FEED REGULATOR CAM

6 6 6
0 0 0
1 1 1
1 2 7

REF.	PART NBR	DESCRIPTION	1	2	7
01	531650	FEED REGULATOR CONTROL ARM ASSEMBLY	X		
02	113455-001	FEED REGULATOR CONTROL ARM MOUNTING BRACKET SCREW	X		
03	354975-451	FEED REGULATOR CAM FOLLOWER POSITIONING SCREW	X		
04	356397	FEED REGULATOR CAM FOLLOWER ASSEMBLY	X		
05	353478	FEED REGULATOR CAM COMPLETE	X		
06	44892	FEED REGULATOR CAM FOLLOWER POSITIONING SPRING	X		
07	618638-005	FEED REGULATOR CAM FOLLOWER POSITIONING SPRING NUT	X		
08	445461	FEED REGULATOR CONTROL DIAL RETAINING RING	X		
09	446427-451	FEED REGULATOR CONTROL DIAL (HOT STAMPED)	X		
10	446428-451	FEED REGULATOR CONTROL DIAL COMPLETE	X		
11	179904-451	FEED REGULATOR POSITIONING PIN KNOB (HOT STAMPED)	X		
12	531806-451	FEED REGULATOR MOUNTING PLATE SCREW (RIGHT)	X		
13	531807-451	FEED REGULATOR MOUNTING PLATE SCREW (LEFT)	X		
14	446284	FEED REGULATOR MOUNTING PLATE	X		
15	446282	FEED REGULATOR FRICTION WASHER	X		
16	353477	FEED REGULATOR CAM	X		
17	446283	FEED REGULATOR MECHANISM MOUNTING PLATE	X		

BUTTONHOLER & FEED REGULATOR CAM



From the library of: Diamond Needle Corp

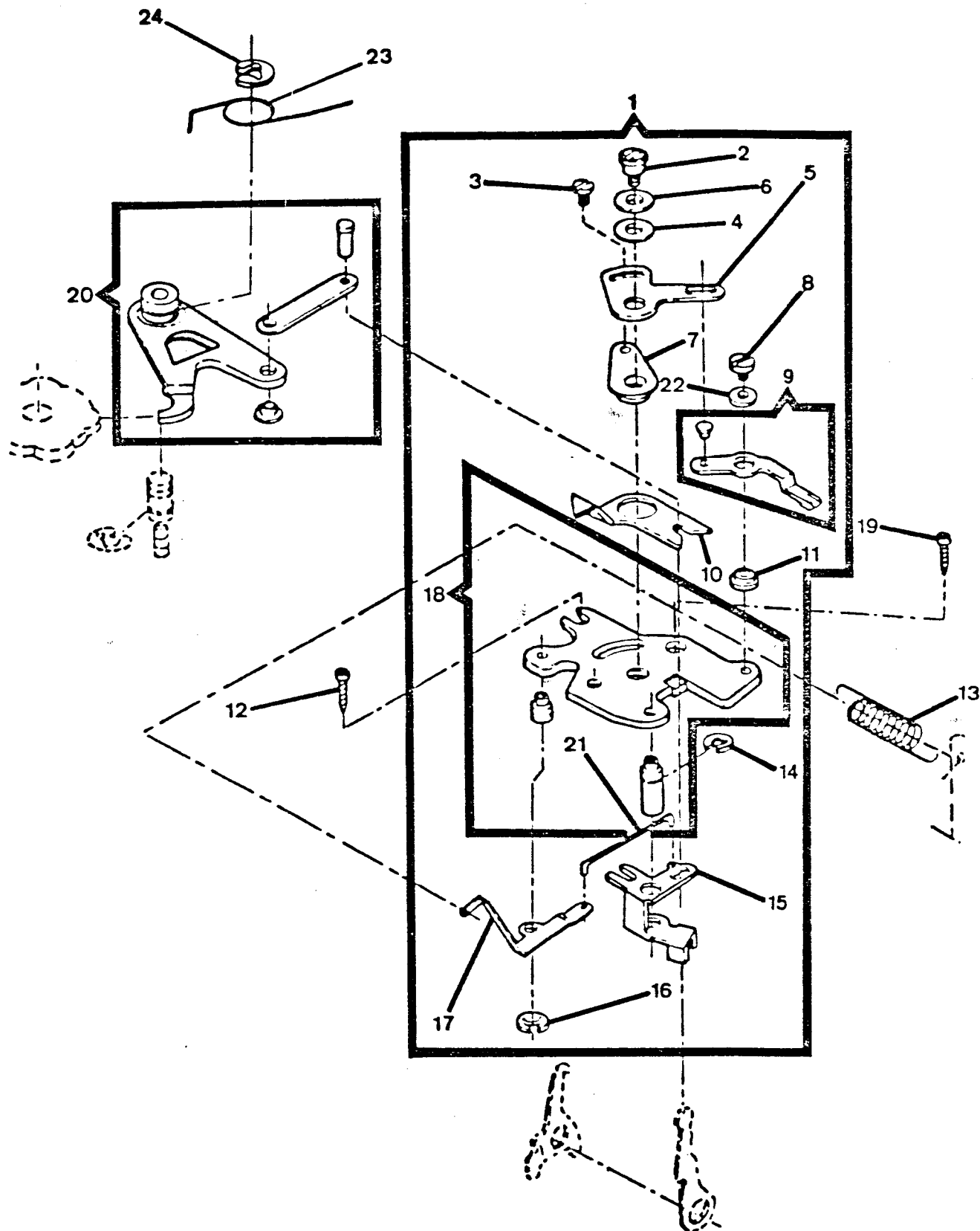
PART LIST
BUTTONHOLER & FEED REGULATOR CAM

REF.	PART NBR	DESCRIPTION	6	6	6
			0	0	0
			1	1	1
			1	2	7
01	353536	BUTTONHOLER NEEDLE POSITION CAM FOLLOWER LEVER LINK (RIGHT) ASSEMBLY		X	X
02	141913-451	BUTTONHOLER NEEDLE POSITION CAM FOLLOWER LEVER LINK (LEFT & RIGHT) SCREW		X	X
03	445486	BUTTONHOLER NEEDLE POSITION CAM FOLLOWER LEVER LINK (RIGHT) RETAINING RING		X	X
04	408030	BUTTONHOLER & FEED REGULATOR MECHANISM MOUNTING PLATE STUD RETAINING RING		X	X
05	445808	BUTTONHOLER & FEED REGULATOR MECHANISM MOUNTING PLATE STUD SPRING WASHER		X	X
06	179949	BUTTONHOLER & FEED REGULATOR MECHANISM MOUNTING PLATE STUD SPRING		X	X
07	356230	BUTTONHOLER & FEED REG.MECHANISM MTG.PLATE STUD		X	X
08	356795-459	BUTTONHOLER & FEED REGULATOR CAM COMPLETE		X	
08	356790-457	BUTTONHOLER & FEED REGULATOR CAM COMPLETE			X
09	356796-459	BUTTONHOLER & FEED REGULATOR CAM ASSEMBLY		X	
09	356791-457	BUTTONHOLER & FEED REGULATOR CAM ASSEMBLY			X
10	531650	FEED REGULATOR CONTROL ARM ASSEMBLY		X	X
11	141913-451	BUTTONHOLER BIGHT CONTROL CAM FOLLOWER LEVER LINK (LEFT & RIGHT) SCREW		X	X
12	353551	BH.CONTROL CAM FOLLOWER LEVER LINK (RIGHT)		X	X
13	356654-465	FEED REGULATOR POSITIONING PIN KNOB (HOT STAMPED)		X	X
14	113513-451	BUTTONHOLER & FEED REG.MECHANISM MTG.PLATE SCREW		X	X
15	445486	BUTTONHOLER BIGHT CONTROL CAM FOLLOWER LEVER LINK (RIGHT) RETAINING RING		X	X
16	353588-451	BUTTONHOLER & FEED REGULATOR MECHANISM MOUNTING PLATE SCREW NUT INSERT		X	X
17	353215	BUTTONHOLER NEEDLE POSITION CAM FOLLOWER LEVER RETAINING RING		X	X
18	353495	BUTTONHOLER & FEED REG.CONTROL DIAL PAWL SPRING		X	X
19	356652	FEED REGULATOR POSITIONING PIN CARRIER		X	X
20	44892	FEED REGULATOR POSITIONING PIN FRICTION SPRING		X	X
21	356650	FEED REGULATOR POSITIONING PIN		X	X
22	618638-005	FEED REGULATOR POSITIONING PIN CARRIER INSERT NUT		X	X
23	113455-001	FEED REGULATOR CONTROL ARM MOUNTING BRACKET SCREW		X	X
24	356830-001	FEED REGULATOR POSITIONING PIN WASHER		X	X
25	353319	CAM CONTROL FEED ENGAGING CAM FOLLOWER & LEVER BUSHING			X
26	353321	CAM CONTROL FEED ENGAGING CAM FOLLOWER LEVER			X
27	353495	CAM CONTROL FEED ENGAGING CAM FOLLOWER & LEVER SPRING			X
28	353320	CAM CONTROL FEED ENGAGING CAM FOLLOWER			X
29	445539	CAM CONTROL FEED ENGAGING CAM FOLLOWER & LEVER WASHER			X
30	113372-451	CAM CONTROL FEED ENGAGING CAM FOLLOWER & LEVER MOUNTING SCREW			X
31	353311-900	FEED REGULATOR POSITIONING PIN CARRIER GUIDE BRACKET		X	X
32	113424-451	FEED REGULATOR POSITIONING PIN CARRIER GUIDE BRACKET SCREW		X	X

6010 SERIES PARTS LIST
P/N 356495-003

REV. No. 1

CAM CONTROLLED FEED



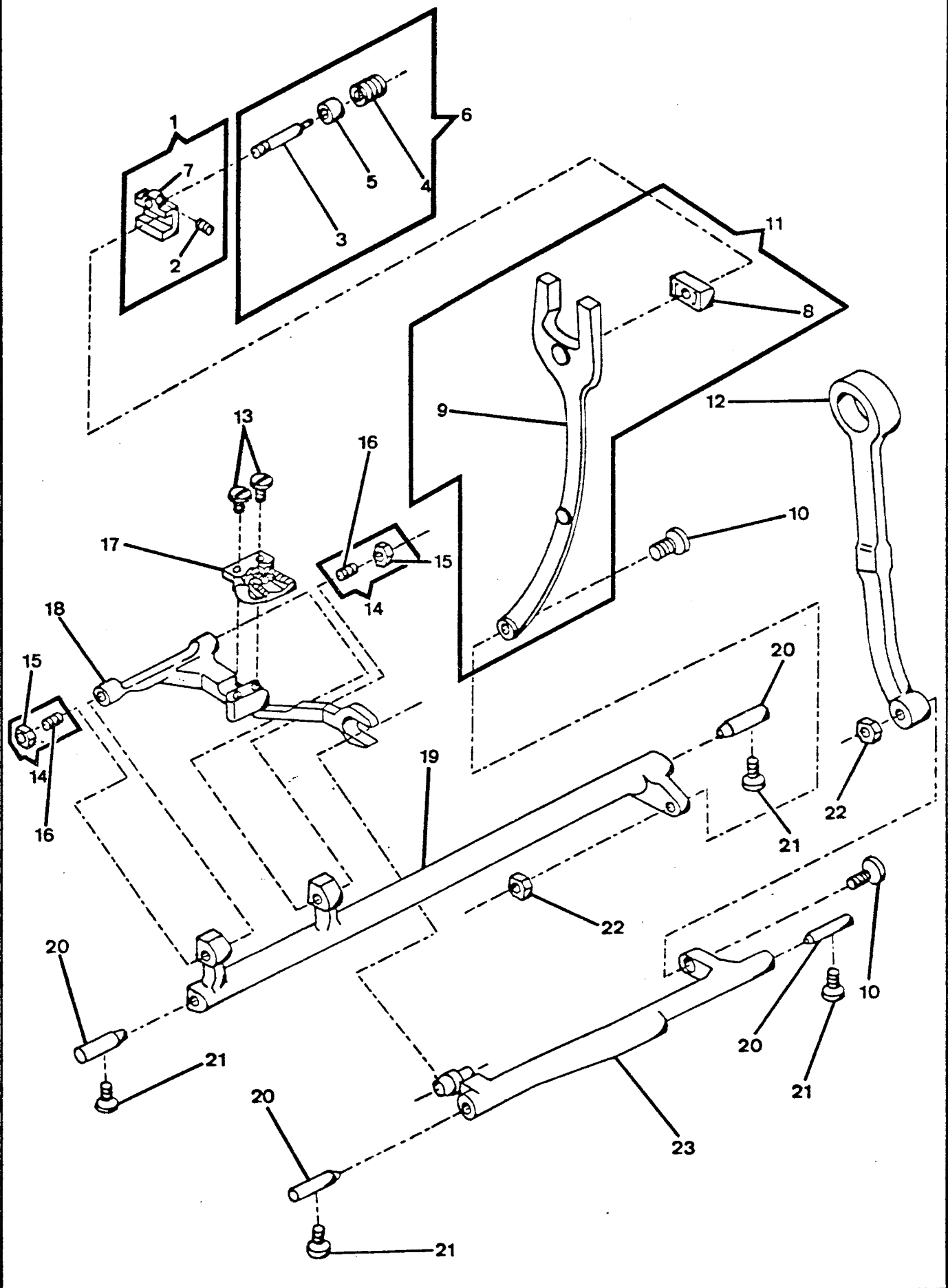
From the library of: Diamond Needle Corp

PART LIST
CAM CONTROLLED FEED

6 6 6
0 0 0
1 1 1
1 2 7

REF.	PART NBR	DESCRIPTION	1	2	7
01	531749	CAM CONTROLLED FEED MOUNTING BRACKET COMPLETE			X
02	113423-451	CAM CONTROLLED FEED BALANCE ADJ.PLATE HINGE SCREW			X
03	141913-451	CAM CONTROLLED FEED BALANCE ADJUSTING SCREW			X
04	353492	CAM CONTROLLED FEED BALANCE ADJUSTING SCREW SPRING WASHER			X
05	531754	CAM CONTROLLED FEED BALANCE ADJUSTING PLATE			X
06	543531	CAM CONTROLLED FEED BALANCE ADJUSTING SCREW WASHER			X
07	353331	CAM CONTROLLED FEED DRIVING ARM ECCENTRIC			X
08	113424-451	CAM CONTROLLED FEED BALANCE ADJ.LEVER HINGE SCREW			X
09	531752-452	CAM CONTROLLED FEED BALANCE ADJUSTING LEVER ASS'Y			X
10	353550-001	CAM CONTROLLED FEED DRIVING ARM			
11	353334	CAM CONTROLLED FEED BALANCE ADJUSTING LEVER MOUNTING BUSHING			X
12	355243-451	CAM CONTROLLED FEED MOUNTING BRACKET SCREW			X
13	356605	FEED REGULATOR CONTROL ARM BIAS LINK SPRING			X
14	445721	CAM CONTROLLED FEED ENGAGING CRANK RETAINING RING			X
15	353329	CAM CONTROLLED FEED ENGAGING CRANK			X
16	445486	CAM CONTROLLED FEED FOLLOWER & LINK RETAINING RING			X
17	356166	CAM CONTROLLED FEED ENGAGING CRANK LEVER			X
18	531750	CAM CONTROLLED FEED MOUNTING BRACKET ASSEMBLY			X
19	113455-003	CAM CONTROLLED FEED MOUNTING BRACKET SCREW (RIGHT)			X
20	356839	CAM CONTROLLED FEED FOLLOWER & LINK ASSEMBLY			X
21	353473	CAM CONTROLLED FEED ENGAGING CRANK LINK			X
22	179898-001	CAM CONTROLLED FEED BALANCE ADJUSTING LEVER WASHER			X
23	357003	CAM CONTROLLED FEED FOLLOWER DISENGAGING SPRING			X
24	445486	CAM CONTROLLED FEED FOLLOWER & LINK ASSEMBLY RETAINING RING			X

FEED SYSTEM

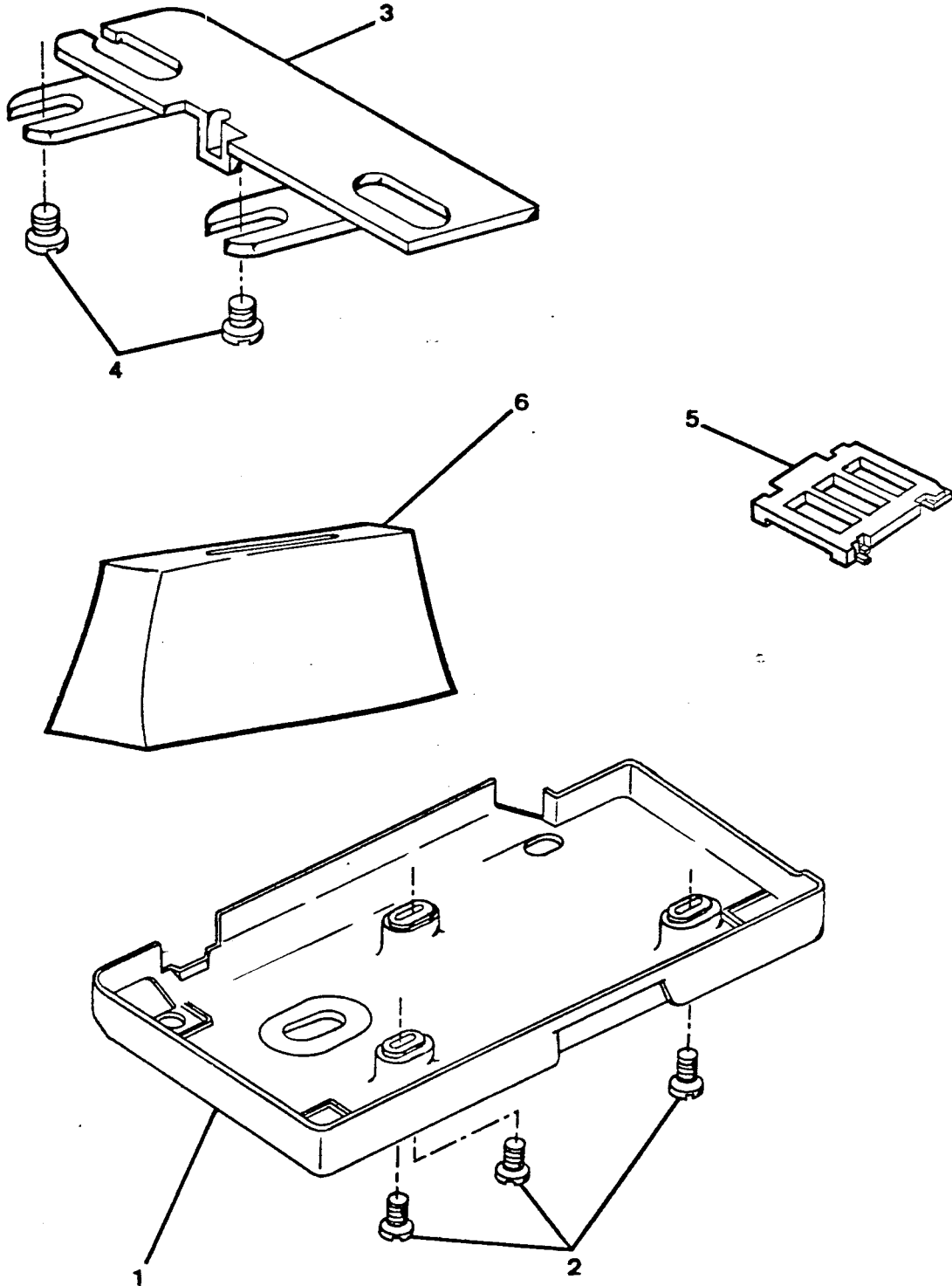


From the library of: Diamond Needle Corp

PART LIST
FEED SYSTEM

REF.	PART NBR	DESCRIPTION	6	6	6
			0	0	0
			1	1	1
			1	2	7
01	531652	FEED REGULATOR COMPLETE	X	X	X
02	141925-833	FEED REGULATOR SET SCREW	X	X	X
03	531818	FEED REGULATOR HINGE STUD	X	X	X
04	445860	FEED REGULATOR RETURN SPRING	X	X	X
05	531819	FEED REGULATOR RETURN SPRING	X	X	X
06	531656	FEED REGULATOR HINGE STUD ASSEMBLY	X	X	X
07	531653	FEED REGULATOR ASSEMBLY	X	X	X
08	44437	FEED FORKED CONNECTING SLIDE BLOCK	X	X	X
09	531669	FEED FORKED CONNECTING WITH STUD	X	X	X
10	141805-850	FEED LIFTING ROCK SHAFT CONNECTING ROD HINGE SCREW (ECCENTRIC)	X	X	X
11	531668	FEED FORKED CONNECTING ASSEMBLY WITH SLIDE BLOCK	X	X	X
12	37288	FEED LIFTING ROCK SHAFT CONNECTING ROD (MACHINED)	X	X	X
13	141808-452	FEED DOG SCREW	X	X	X
14	44505	FEED BAR SCREW CENTER	X	X	X
15	53647-819	FEED BAR SCREW CENTER NUT	X	X	X
16	141921-850	FEED BAR SCREW CENTER	X	X	X
17	531667	FEED DOG (MACHINED)	X	X	X
18	44601	FEED BAR (MACHINED)	X	X	X
19	531666-900	FEED SHAFT	X	X	X
20	179880-001	FEED LIFTING ROCK SHAFT CENTER (PLASTIC)	X	X	
20	37287	FEED LIFTING ROCK SHAFT CENTER			X
21	141925-833	FEED LIFTING ROCK SHAFT CENTER SET SCREW	X	X	X
22	53648-451	FEED FORKED CONNECTING HINGE SCREW (ECCENTRIC NUT	X	X	X
23	446153	FEED LIFTING ROCK SHAFT COMPLETE	X	X	X

OPTIONS/ BOTTOM COVER

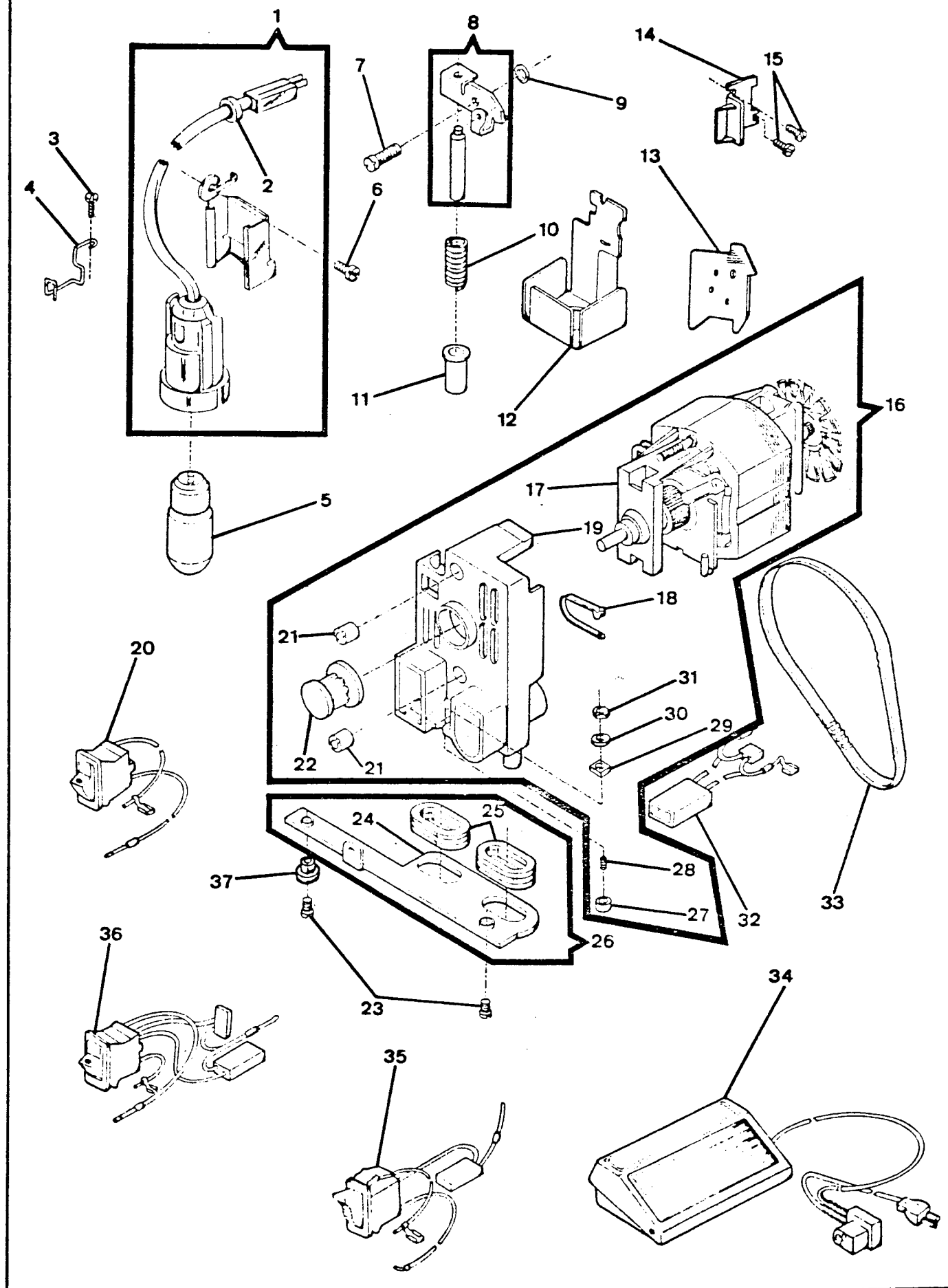


PART LIST
 OPTIONS/BOTTOM COVERS

REF.	PART NBR	DESCRIPTION	6	6	6
			0	0	0
			1	1	1
			1	2	7
<hr style="border-top: 1px dashed black;"/>					
01	531671-453	UNDER BED COVER (PLASTIC)	X	X	X
02	354833-451	UNDER BED COVER SCREW	X	X	X
03	446263-455	BED EXTENSION PLATE	X	X	X
04	354966-451	BED EXTENSION PLATE SET SCREW	X	X	X
05	446480	FACE PLATE LIGHT GRILLE	X	X	X
06	531928-452	SOFT VYNIL COVER	X	X	X

From the library of: Diamond Needle Corp

ELECTRICAL EQUIPMENT



From the library of: Diamond Needle Corp

PART LIST
ELECTRICAL EQUIPMENT

REF.	PART NBR	DESCRIPTION	6	6	6
			0	0	0
			1	1	1
			1	2	7
01		REFER TO CHARTS ON FOLLOWING PAGES	X	X	X
02	179908	LIGHT LEAD GROMMET	X	X	X
03	113455-001	LIGHT LEAD WIRE RETAINER MOUNTING SCREW	X	X	X
04	353247	LIGHT LEAD WIRE RETAINER	X	X	X
05	988076-001	LAMP (120V)	X	X	X
05	988076-003	LAMP (220V)	X	X	X
06	354592	LIGHT SOCKET MOUNTING SCREW	X	X	X
07	113372-451	MOTOR GUIDE PIN MOUNTING BRACKET SCREW	X	X	X
08	446470	MOTOR GUIDE PIN MOUNTING BRACKET ASSEMBLY	X	X	X
09	313470-452	MOTOR GUIDE PIN MOUNTING BRACKET SCREW NUT	X	X	X
10	446473	MOTOR BELT TENSION SPRING	X	X	X
11	446475	MOTOR GUIDE PIN BUSHING	X	X	X
12	605087-001	HEAT SHIELD (FOR EUROPE)	X	X	X
13	179901	LIGHT SHIELD (WITHOUT GRAPHICS)	X	X	X
13	179910-451	LIGHT SHIELD WITH GRAPHICS (FOR USA/CANADA)	X	X	X
14	314340-900	LIGHT MOUNTING PLATE (INSULATOR)		X	X
15	354826-451	LIGHT MOUNTING PLATE SCREW	X	X	X
16		REFER TO CHARTS ON FOLLOWING PAGES	X	X	X
17		REFER TO CHARTS ON FOLLOWING PAGES	X	X	X
18	605600-004	LIGHT LEAD RETAINING (SELF LOCKING CABLE TIE)	X	X	X
19		REFER TO CHARTS ON FOLLOWING PAGES	X	X	X
20		REFER TO CHARTS ON FOLLOWING PAGES	X	X	X
21	603907-001	MOTOR MODULE NUT	X	X	X
22	988761-001	MOTOR PULLEY	X	X	X
23	113370-451	MOTOR MOUNTING PLATE SCREW	X	X	X
24	446476	MOTOR MOUNTING PLATE	X	X	X
25	353355	MOTOR MOUNTING PLATE GROMMET	X	X	X
26	446479	MOTOR MOUNTING PLATE ASSEMBLY	X	X	X
27	988887-001	MOTOR BELT SCREW CAP	X	X	X
28	113343-451	MOTOR BELT SCREW	X	X	X
29	179887	MOTOR BELT SCREW NUT	X	X	X
30	445439	MOTOR ADJUSTING SCREW LOCK NUT WASHER	X	X	X
31	353402-451	MOTOR ADJUSTING SCREW LOCK NUT	X	X	X
32	988768-002	LIGHT RECEPTACLE HARNESS SURPRESSED) COMPLETE	X	X	X
33	353518-001	MOTOR BELT	X	X	X
34		REFER TO CHARTS ON FOLLOWING PAGES	X	X	X
35		REFER TO CHARTS ON FOLLOWING PAGES	X	X	X
36		REFER TO CHARTS ON FOLLOWING PAGES	X	X	X
37	531627	MOTOR MOUNTING SCREW SPACER	X	X	X

From the library of: Diamond Needle Corp

ELECTRICAL EQUIPMENT

		U.S	CANADA	EUROPE	GREAT BRITAIN
REF.	2 SPEED UNSURPRESSED	(120V)	(120V)	(220V)	(240V)
1	LIGHT COMP.				
16	MOTOR COMPLETE				
17	SERIES MOTOR MODULE				
19	COMMUTATOR END				
34	CONTROLLER				
34	CONTROLLER (ALT.)				
35	SWITCH - 2 SPEED				
	2 SPEED SURPRESSED				
1	LIGHT COMP.				
16	MOTOR COMPLETE				
17	SERIES MOTOR MODULE				
19	COMMUTATOR END				
34	CONTROLLER				
34	CONTROLLER (ALT.)				
36	SWITCH - 2 SPEED				
	1 SPEED SURPRESSED				
1	LIGHT COMP.	NP0032-001	NP0032-001		
16	MOTOR COMPLETE	988759-001	988759-001		
17	SERIES MOTOR MODULE	988752-001	988752-001		
19	COMMUTATOR END	988760-002	988760-002		
20	SWITCH	988763-001	988763-001		
34	CONTROLLER	988374-090	988374-090		
34	CONTROLLER (ALT.)	979314-031	979314-031		
	1 SPEED SURPRESSED				
1	LIGHT COMP.			NP0032-002	NP0032-002
16	MOTOR COMPLETE			-	-
17	SERIES MOTOR MODULE			988759-002	988759-003
19	COMMUTATOR END			988760-002	988760-002
20	SWITCH			988763-001	988763-001
34	CONTROLLER			988274-051	988274-055
34	CONTROLLER (ALT.)			979314-026	979314-027

From the library of: Diamond Needle Corp

ELECTRICAL EQUIPMENT

		AFRICA & SOUTH AMERICA	AFRICA & SOUTH AMERICA	AFRICA & SOUTH AMERICA	USA SCHOLLS M/CS
REF.	2 SPEED UNSURPRESSED -----	FLAT BLADE (120V) -----	FLAT BLADE (220V) -----	ROUND PIN (120V) -----	ROUND PIN (120V) -----
1	LIGHT COMP.				
16	MOTOR COMPLETE				
17	SERIES MOTOR MODULE				
19	COMMUTATOR END				
34	CONTROLLER				
34	CONTROLLER (ALT.)				
35	SWITCH - 2 SPEED				
	2 SPEED SURPRESSED -----				
1	LIGHT COMP.				
16	MOTOR COMPLETE				
17	SERIES MOTOR MODULE				
19	COMMUTATOR END				
34	CONTROLLER				
34	CONTROLLER (ALT.)				
36	SWITCH - 2 SPEED				
	1 SPEED SURPRESSED -----				
1	LIGHT COMP.	NP0032-004	NP0032-004	NP0032-004	
16	MOTOR COMPLETE	988759-00A	988759-004	988759-00A	988759-001
17	SERIES MOTOR MODULE	988752-001	988752-001	988752-001	988752-001
19	COMMUTATOR END	988760-002	988760-002	988760-002	988760-002
20	SWITCH	988763-001	988763-001	988763-001	988763-001
34	CONTROLLER	988274-100	988274-110	988274-097	988274-097
34	CONTROLLER (ALT.)	979314-023	979314-024	979314-021	979314-031
	1 SPEED SURPRESSED -----				
1	LIGHT COMP.				
16	MOTOR COMPLETE				
17	SERIES MOTOR MODULE				
19	COMMUTATOR END				
20	SWITCH				
34	CONTROLLER				
34	CONTROLLER (ALT.)				

From the library of: Diamond Needle Corp

ELECTRICAL EQUIPMENT

		AFRICA & SOUTH AMERICA		SOUTH AFRICA	AUSTRALIA
REF.	2 SPEED UNSURPRESSED	(120V)		(240V)	(240V)
1	LIGHT COMP.				
16	MOTOR COMPLETE				
17	SERIES MOTOR MODULE				
19	COMMUTATOR END				
34	CONTROLLER				
34	CONTROLLER (ALT.)				
35	SWITCH - 2 SPEED				
	2 SPEED SURPRESSED				
1	LIGHT COMP.				
16	MOTOR COMPLETE				
17	SERIES MOTOR MODULE				
19	COMMUTATOR END				
34	CONTROLLER				
34	CONTROLLER (ALT.)				
36	SWITCH - 2 SPEED				
	1 SPEED SURPRESSED				
1	LIGHT COMP.	NP0032-004			
16	MOTOR COMPLETE	988759-004			
17	SERIES MOTOR MODULE	988752-004			
19	COMMUTATOR END	988760-002			
20	SWITCH	988763-001			
34	CONTROLLER	988274-098			
34	CONTROLLER (ALT.)	979314-022			
	1 SPEED SURPRESSED				
1	LIGHT COMP.			NP0032-005	NP0032-003
16	MOTOR COMPLETE			988759-P02	988759-P01
17	SERIES MOTOR MODULE			988752-P02	988752-P01
19	COMMUTATOR END			988760-002	988760-002
20	SWITCH			988763-001	988763-001
34	CONTROLLER			988274-099	988274-057
34	CONTROLLER (ALT.)			979314-030	979314-028

From the library of: Diamond Needle Corp